



Movement Solutions

For Industrial & Electromechanical Applications

Spring 2019

Accuride[®]
Always Moving Forward

Spanning the Globe with Ball Bearing Slide Products

As one of the largest companies in the world dedicated exclusively to the design and manufacture of precision slide products, Accuride sets the industry benchmark for smoothness, silence, and strength.

Accuride's production facilities and stocking distributors are located around the world, offering global access, reliable lead times, and flexible scheduling, whether in Helsinki or Los Angeles.

As further testimony to Accuride's global commitment, all manufacturing facilities maintain a quality management system certified to ISO 9001:2008, and all product finishes, grease, and rubber and plastic components comply with the Restriction of Hazardous Substances (RoHS) Directive.

Design innovation, standardized methods, and stringent quality control are the cornerstones of Accuride's philosophy, and the extensive range of specialty and full extension slides is backed by a Limited Lifetime Warranty.

When quality counts leading manufacturers count on Accuride.

Accuride[®]
Always Moving Forward



Contents

To the Design Engineer

Factors to consider when selecting a slide	3
Slide cross sections and load ratings	4-6
Testing and terminology	7

Slides for Electronic Enclosure Applications

Slide Models – Load rating: 100–200 lbs. [45–91 kg]	8
2807, 2907, 2907WB, 3507	
Cable carriers	11
CC9, CC11	
Mounting brackets and general mounting instructions	11
Rack mounting bracket dimensions	12
Bar nuts Illustrations and dimensions	12

Slides for Industrial Applications

Light-Duty Slides – Load rating: 139 lbs. [63 kg] or less	13
2002, 2601, 3732, 3832E, 3832ESC, 3832EHDSC, 3832ETR, 3832EHDTR, CH3832, 3832EDO, 3832EC, O363, 201	
Medium-Duty Slides – Load rating: 140–169 lbs. [64–76 kg]	17
204A-LR, 305A-LR, 3301, 3307, 3357, 3308, 3634EC, 301-2590	
Heavy-Duty Slides – Load rating: 170–1,323 lbs. [77–600 kg]	20
301, 3601, 3600, 3607, 3657, 3641, 3642, 7950, 7957, 9301E, 9307E, 9308E, AL4140, AL4120, AL4160	
Specialty Slide Products – Load rating: 14.5–352 lbs. [6.6–160 kg]	28
FG115, CB-Hand, AL 4190 Tilt Track System, 115RC, 116RC, 115, SS2028, SS0330, SS5321, Ascent CBLift-0019	

The 20 Series Slides

Pocket & Bayonet Mount – Load rating: 75–300 lbs. [34–136 kg]	37
2120, 3820, 3320, 3620, 9328E, 9322E	

Limited Lifetime Warranty	44
---------------------------------	----



To download a digital version of this catalog and other resources scan this QR Code.

Corporate Headquarters

12311 Shoemaker Avenue • Santa Fe Springs, California 90670
Telephone: (562) 903-0200 • Fax: (562) 903-0208 • accuride.com

Specification Table

	Model	Load Rating	Travel	Cross Section	Detent	Lock	Disconnect	Page
<i>Electronic Enclosures</i>	2807	100 lbs. [45 kg]	2" over [50.8 mm]	.38" [9.6 mm]	—	Out	Latch	9
	2907	115 lbs. [52 kg]	2" over [50.8 mm]	.38" [9.6 mm]	—	Out	Lever	9
	2907WB	120 lbs. [55 kg]	2" over [50.8 mm]	.38" [9.6 mm]	—	Out	Lever	10
	3507	200 lbs. [91 kg]	2" over [50.8 mm]	.50" [12.7 mm]	—	Out	Latch	10
<i>Light-Duty Slides</i>	2002 Two Way	50 lbs [23 kg]	3/4	.38" [9.6 mm]	Center	—	—	14
	2601	75 lbs. [34 kg]	Full	.50" [12.7 mm]	Hold-in	—	—	14
	3732	100 lbs. [45 kg]	Full	.50" [12.7 mm]	Hold-in	—	Push Latch	14
	3832E series	100 lbs. [45 kg]	Full	.50" [12.7 mm]	Hold-in	—	Lever	15
	0363 Two Way	100 lbs. [45 kg]	Full	.85" [21.6 mm]	Center	—	—	16
	201	108 lbs. [49 kg]	3/4	.38" [9.6 mm]	Hold-in	—	—	16
<i>Medium-Duty Slides</i>	204A-LR	140 lbs. [64 kg]	3/4	.38" [9.6 mm]	—	Out	Latch	18
	305A-LR	140 lbs. [64 kg]	Over	.75" [19.1 mm]	—	Out	Latch	18
	3301	150 lbs. [68 kg]	Over	.50" [12.7 mm]	—	—	—	19
	3307	150 lbs. [68 kg]	Over	.50" [12.7 mm]	—	Out	Latch	19
	3357	150 lbs. [68 kg]	Over	.50" [12.7 mm]	—	—	Latch	19
	3308	150 lbs. [68 kg]	Over	.50" [12.7 mm]	—	In and Out	Lever	19
	3634EC	150 lbs. [68 kg]	Over	.78" [19.8 mm]	Hold-in	—	Lever	19
	301-2590	155 lbs. [70 kg]	Over	.75" [19.1 mm]	Hold-in	—	—	19
<i>Heavy-Duty Slides</i>	301	175 lbs. [80 kg]	Over	.75" [19.1 mm]	—	—	—	21
	3601	225 lbs. [116 kg]	Over	.75" [19.1 mm]	Hold-in	—	—	21
	3600	273 lbs. [124 kg]	Full	.75" [19.1 mm]	Hold-in	—	—	22
	3607	273 lbs. [124 kg]	Full	.75" [19.1 mm]	—	Out	Lever	22
	3641	180 lbs. [82 kg]	Over	.89" [22.6 mm]	Hold-in	—	Rail	23
	3642	180 lbs. [82 kg]	Over	.89" [22.6 mm]	Hold-in	—	Rail	23
	3657	273 lbs. [124 kg]	Full	.75" [19.1 mm]	Hold-in	—	Lever	23
	7950	350 lbs. [159 kg]	Full	.75" [19.1 mm]	Hold-in	—	—	24
	7957	350 lbs. [159 kg]	Full	.75" [19.1 mm]	Hold-in	—	Lever	24
	9301E	600 lbs. [272 kg]	Full	.75" [19.1 mm]	Hold-in	—	—	25
	9307E	600 lbs. [272 kg]	Full	.75" [19.1 mm]	—	Out	—	26
	9308E	600 lbs. [272 kg]	Full	.75" [19.1 mm]	—	In and Out	—	26
	AL4160	661 lbs. [300 kg]	Full	1.04" [26.4 mm]	—	—	—	27
	AL4120	1,212 lbs. [550 kg]	3/4	1.42" [36 mm]	—	—	—	27
	AL4140	1,323 lbs. [600 kg]	Full	1.50" [38 mm]	—	—	—	27
<i>Specialty Series Slides</i>	FG115	900 lbs. [4000N]	Linear	.94 [24 mm]	—	—	—	29
	CB-Hand	Slide Dependent	—	—	—	In and Out	—	30
	AL4190 Tilt-Track System	—	—	—	—	—	—	31
	115RC	265 lbs. [120 kg]	Linear	.48" [12.3 mm]	—	—	—	32
	116RC	793 lbs. [360 kg]	Linear	.98" [25 mm]	—	—	—	33
	CBLift-0019 Ascent	14.5 lbs. [6.6 kg]	21" [538 mm]	—	—	—	—	34
	115	Mounting Dependent	Linear	.43" [11.1 mm]	—	—	—	35
	SS2028	100 lbs. [45 kg]	3/4	.38" [9.6 mm]	Hold-in	—	—	35
	SS0330	143 lbs. [65 kg]	Full	.75" [19.1 mm]	Hold-in	—	—	36
	SS5321	352 lbs. [160 kg]	Over	.75" [19.1 mm]	Hold-in	—	—	36
<i>Pocket & Bayonet</i>	2120	75 lbs. [34 kg]	3/4	.50" [12.7 mm]	Hold-in	—	Lever	41
	3820E	100 lbs. [45 kg]	Full	.50" [12.7 mm]	Hold-in	—	Lever	41
	3320	120 lbs. [55 kg]	Full	.50" [12.7 mm]	Hold-in	—	—	42
	3620	200 lbs. [91 kg]	Over	.75" [19.1 mm]	Hold-in	—	—	42
	9328E	360 lbs. [163 kg]	Full	.75" [19.1 mm]	—	In and Out	—	40
	9322E	360 lbs. [163 kg]	Full	.75" [19.1 mm]	—	—	—	40

To the design engineer:

This catalog is designed to assist you in making the proper slide selection for your application. The information listed on this spread provides an overview of the slides available and pertinent information to consider when selecting a slide. The following pages provide a more detailed look at slides and mounting hardware. Additional information, technical sheets, and specific design criteria is available at www.accuride.com.

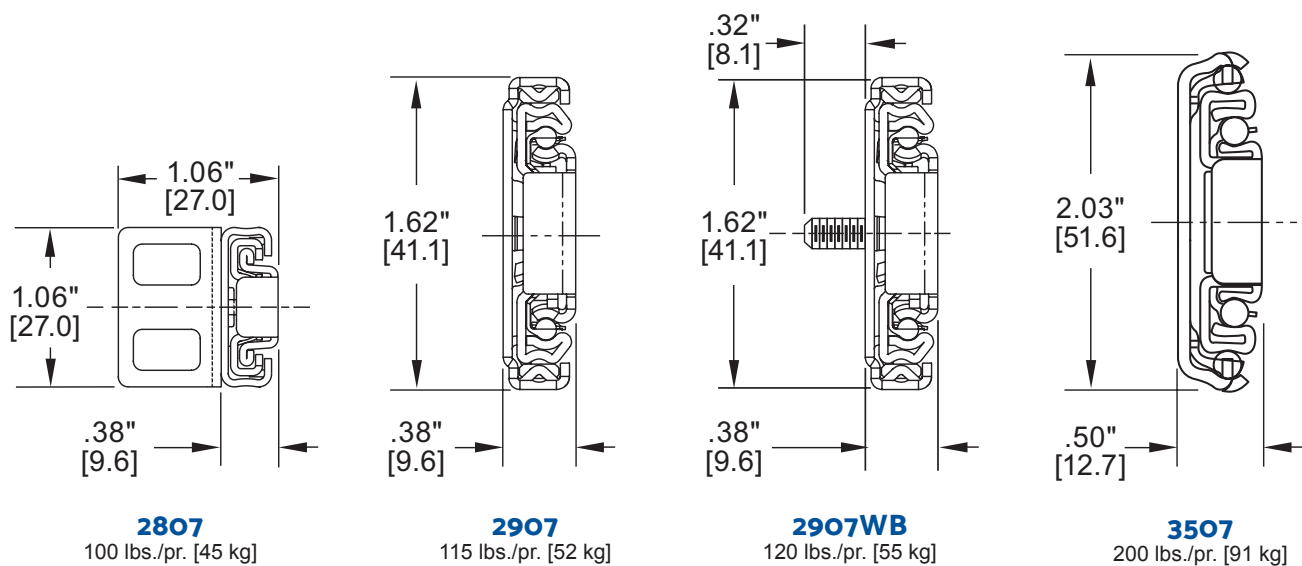
Factors to consider when selecting a slide

- Weight of chassis /drawer
- Side space available between chassis /drawer and rack/cabinet
- Height, width, and depth of chassis /drawer
- Depth of rack/cabinet
- Travel desired
- Application-specific requirements
- Disconnect of chassis /drawer needed
- Locks needed
- Mounting holes needed
- Optional mounting hardware for mounting in rack or enclosure

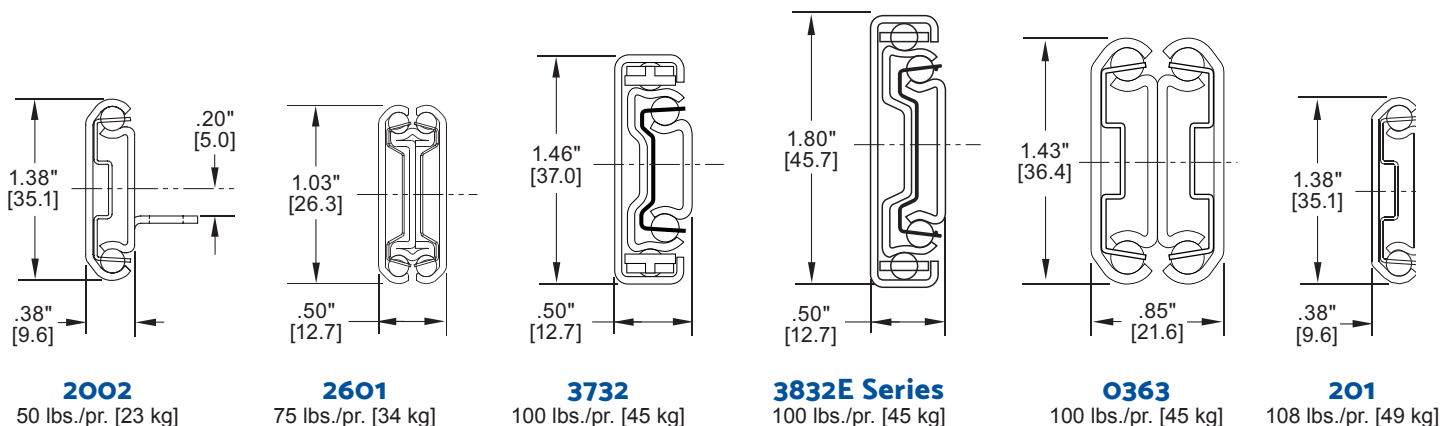
Cross sections and load ratings

Load rating range is based on slide length. For more information, see the slide tables in this catalog or download the technical sheets from accuride.com.

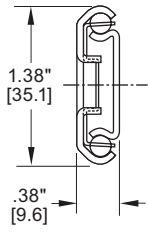
Electronic Enclosures



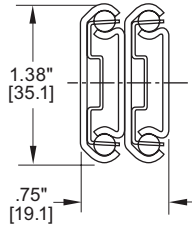
Light-Duty



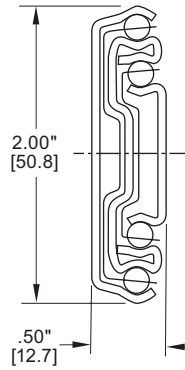
Medium-Duty



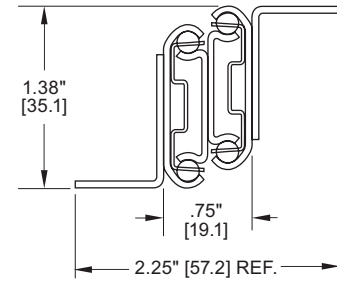
204A-LR
140 lbs./pr. [64 kg]



305A-LR
140 lbs./pr. [64 kg]

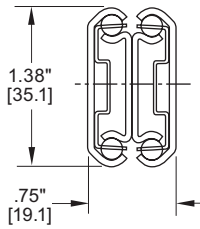


3301/3307/3308/3357
150 lbs./pr. [68 kg]

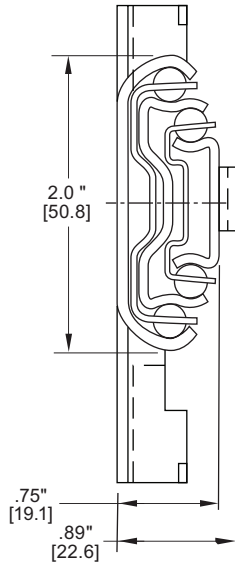


301-2590
155 lbs./pr. [70 kg]

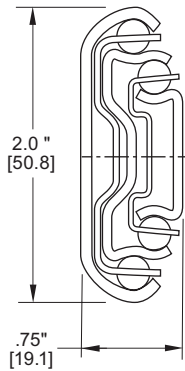
Heavy-Duty



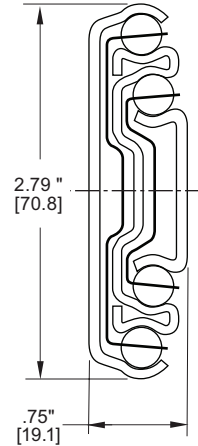
301
175 lbs./pr. [80 kg]



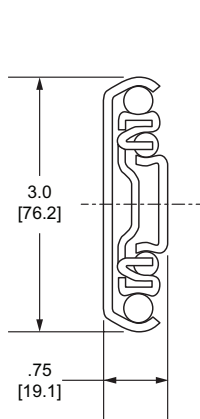
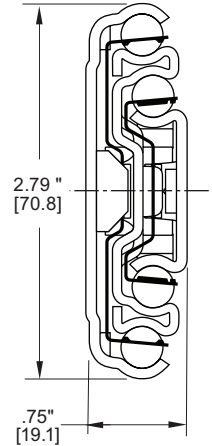
3641/3642
180 lbs./pr. [82 kg]



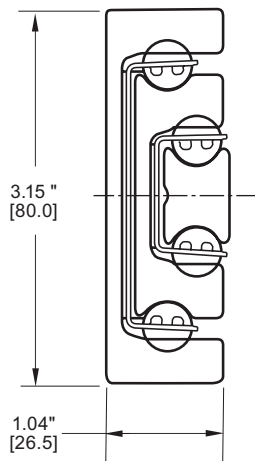
3601
255 lbs./pr. [116 kg]
3600/3607/3657
273 lbs./pr. [124 kg]



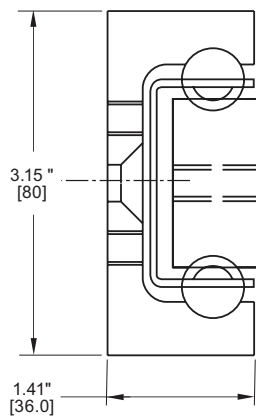
7950/7957
350 lbs./pr. [159 kg]



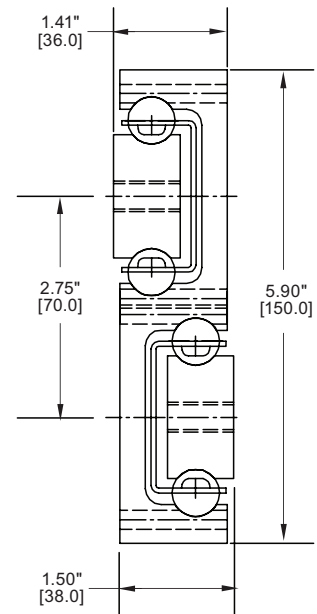
9301E/9307E/9308E
Up to 600 lbs./pr. [272 kg]*
* depending on usage



AL4160
Up to 661 lbs./pr. [300 kg]

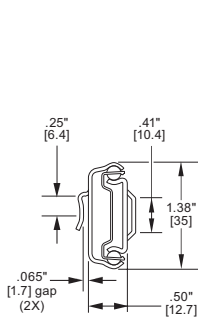


AL4120
Up to 1,212 lbs./pr. [550 kg]

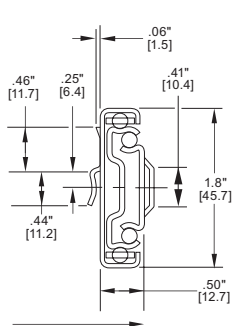


AL4140
Up to 1,323 lbs./pr. [600]

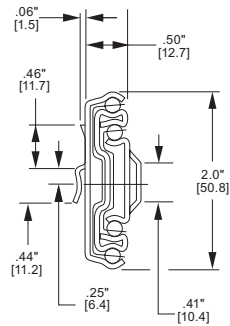
Pocket & Bayonet



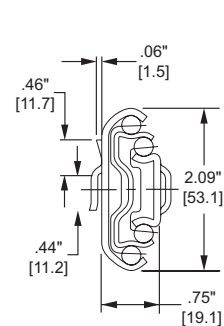
2120
Up to 75 lbs./pr. [50 kg]



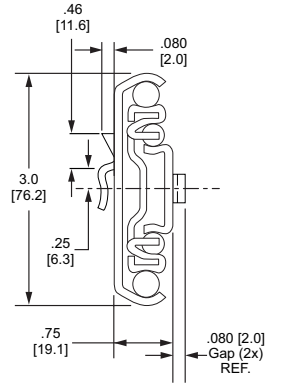
3820E
Up to 100 lbs./pr. [50 kg]



3320
Up to 120 lbs./pr. [55 kg]

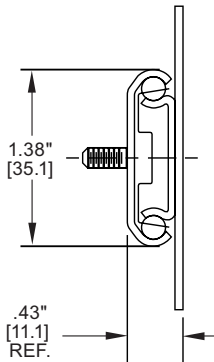


3620
Up to 200 lbs./pr. [91 kg]

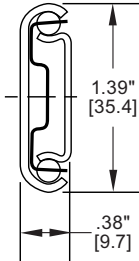


9328/9322
Up to 360 lbs./pr. [163 kg]
** depending on usage

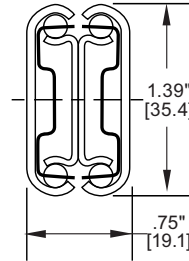
Specialty Slide Products



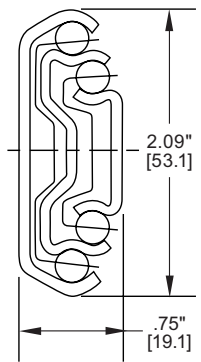
115
Side Mount: 100 lbs./pr. [50 kg]
Flat Mount: 132 lbs./pr. [60 kg]



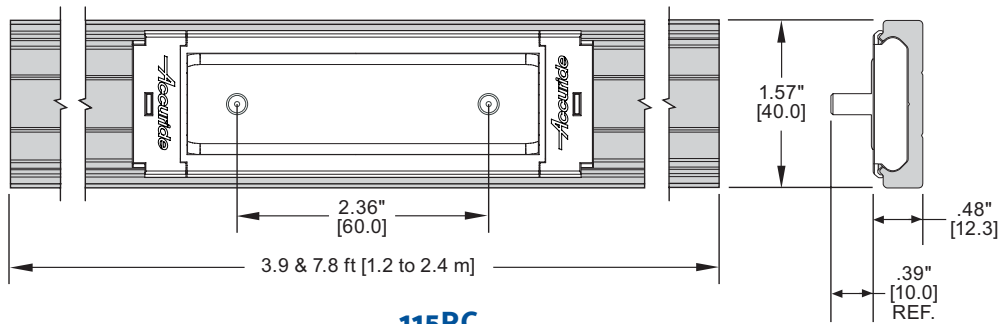
SS2028
100 lbs./pr. [50 kg]



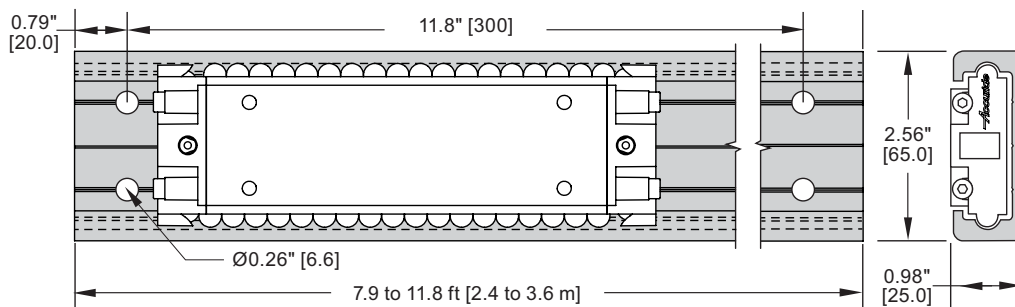
SS0330
143 lbs./pr. [65 kg]



SS5321
352 lbs./pr. [160 kg]

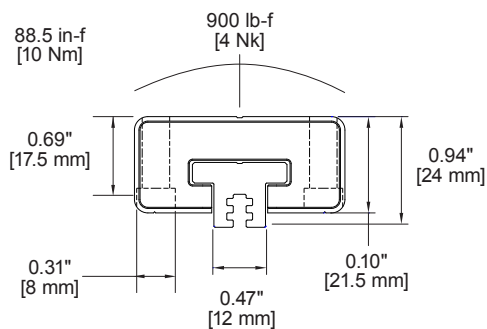


115RC
Up to 265 lbs. [120 kg]

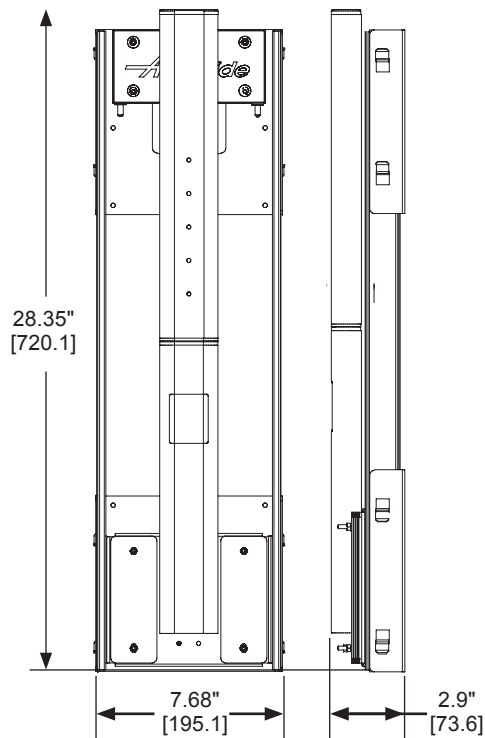


116RC
Up to 793 lbs. [360 kg]

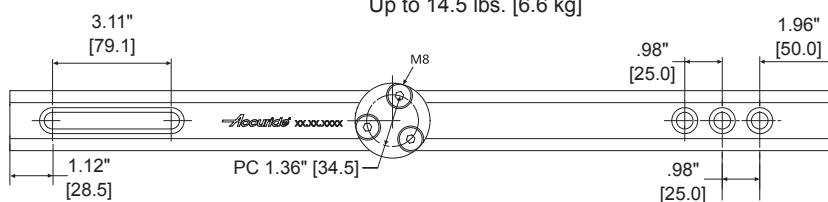
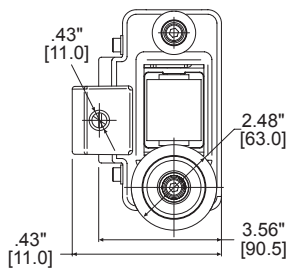
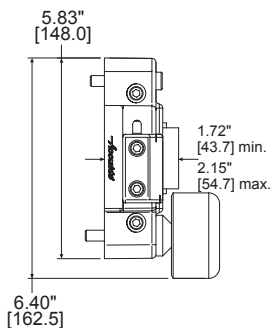
Specialty Slide Products



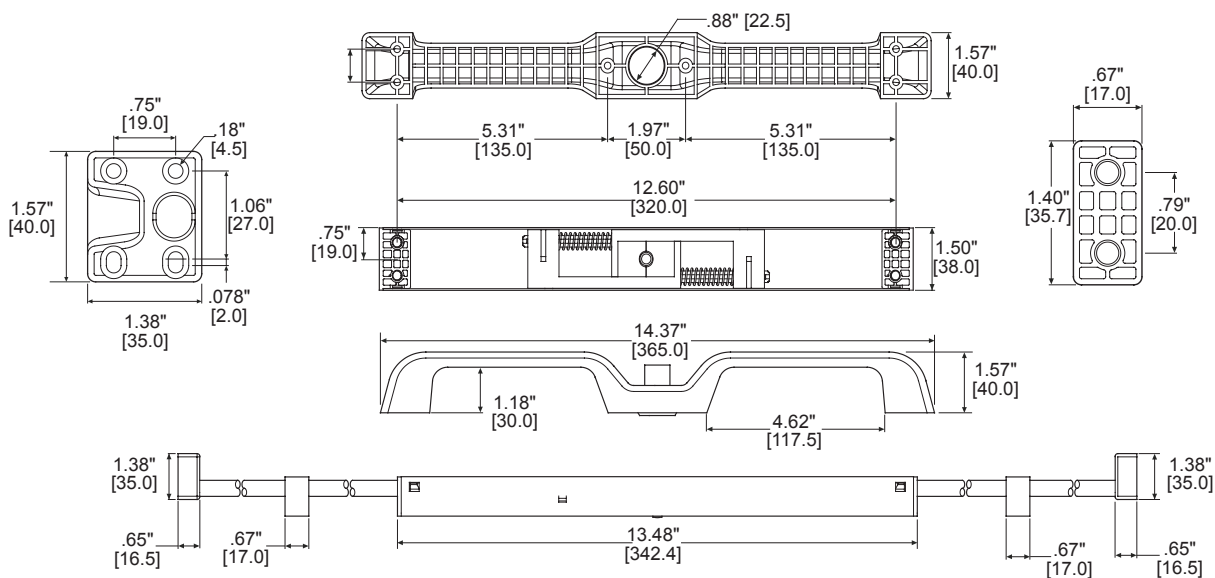
FG115
Side Mount: 900 lb-f [4000 N]



Ascent CBLift-0019
Up to 14.5 lbs. [6.6 kg]



AL4190
Tilt Track System
Up to 140lbs. [63.5 kg]



CB-Hand Locking Handle Kits
Drawers up to 60\"/>

Standard Test Criteria and Basis for Load Rating

1. Maximum permissible load for a pair of side-mounted slides.
2. Unless otherwise stated, the tested maximum load rating indicated is based on 18" long slides mounted on a 16" wide drawer. Refer to technical sheets for testing data.
3. The load's center of gravity is centered between and at the midpoint of the chassis/drawer members.
4. Unless otherwise stated, load ratings are based on 10,000 cycle dynamic tests.
5. Testing includes 100% static safety factor.
6. Unless otherwise stated, load ratings are based on side mounting the slides.
7. Unless otherwise stated, under (or flat) mounting of the slides is not recommended and reduces load carrying capacity to about 1/4 of the side-mount capacity.

Standard Test Criteria for Slides Designed for Electronic Enclosures

8. Life cycle counts for most enclosure applications is 1,000 cycles. Testing is based on 2,000 cycle dynamic tests, with 100% static safety factor.
9. Proof test: Additional weight is added to a fully loaded chassis within two inches of chassis front, for one hour.
10. Salt spray tested, using 5% salt spray (fog) for 12 hours.
11. Vibration testing is available upon request. Customer to supply test standards.
12. Load rating is based on bracket mounting of slides to cabinet.

Note: Because the slide performance may be affected by factors unique to a specific application, always test slides in the intended application.

Disconnect

Allows the drawer or chassis to be removed from the case or rack. A lever or latch must be actuated before the drawer can be removed from the cabinet.

Detent

Holds the slide open or closed until extra force is applied to overcome the detent.

Mounting Brackets

Optional brackets are available to make it easier to mount slides in an electronics rack or enclosure. Please refer to the Rack Mounting Accessories Selection Guide at www.accuride.com.

Side Space

The side space is the amount of room required between the drawer side and the cabinet or the chassis and the rack. The side space dimension is critical for optimal smooth movement. For rack mount applications, special brackets are available for model 305A-LR. These brackets allow a portion of the slide to be mounted behind the vertical rail, reducing the necessary side space. See page 18 for an illustration.

Travel or Extension

3/4 Extension: Drawer opens partially, approximately 3/4 of the total slide length.

Full Extension: Drawer opens the same amount as the slide length.

Over Travel: Drawer opens further than the length of the slide. This allows the drawer to pull completely out of the cabinet providing access to the entire drawer.

Hardware/Fasteners

Refer to individual product technical sheets for recommended hardware and/or fasteners.

Packaging

Standard Bulk Packaging

Slides and mounting hardware packed separately, one part number per box.

Optional D-Packaging

Package contains one pair of slides, mounting hardware, and installation instructions. To order, add a "D" to the end of the part number. Some D Packs may include brackets.

Standard Material Specifications

Steel Slides: Slide members and-ball retainers: cold-rolled steel. Ball bearings: carburized steel.

Stainless Steel (SS): Slide members, ball retainers, and ball bearings are stainless steel.

Aluminium (AL): Slide members are aluminum, ball retainers and bearings are stainless steel

Standard C Finish: Clear zinc electroplate

Optional CB Finish: Black electroplate

Optional EW Finish: White electrocoat

Optional CH Finish: Weather-resistant

Lubricants: Hi-Lo temperature grease
Food-Safe available by special order

Temperature Range: 24.8°F (-4° C) to +180°F (+82.2°C)



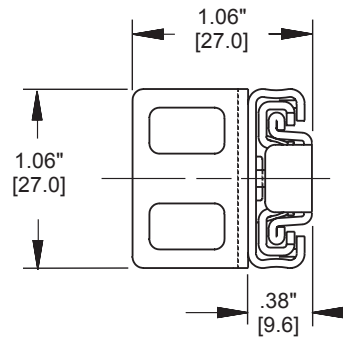
Electronic Enclosures

Slide Length	Slide Travel
10.00 [254]	12.00 [305]
12.00 [305]	14.00 [356]
14.00 [356]	16.00 [406]
16.00 [406]	18.00 [457]
18.00 [457]	20.00 [508]
20.00 [508]	22.00 [559]
22.00 [559]	24.00 [610]
24.00 [610]	26.00 [660]
26.00 [660]	28.00 [711]
28.00 [711]	30.00 [762]
30.00 [762]	32.00 [813]



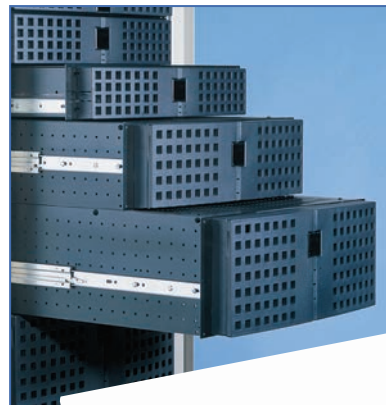
2807

Low profile with a narrow side space designed for 1U to 2U chassis



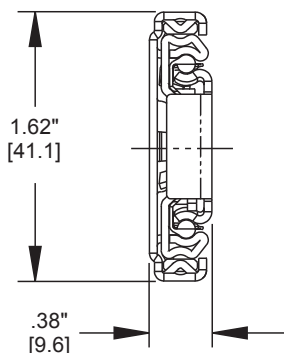
- Load capacity up to 100 lbs. [45 kg]/pair
- 2" [50.8 mm] over travel
- .38" [9.6 mm] side space
- Lock-out
- Latch disconnect
- Attached rear bracket provides 2" [50.8 mm] of adjustment
- Even lengths 10"-30" [254-762 mm]

Slide Length	Slide Travel
12.00 [305]	14.00 [356]
14.00 [356]	16.00 [406]
16.00 [406]	18.00 [457]
18.00 [457]	20.00 [508]
20.00 [508]	22.00 [559]
22.00 [559]	24.00 [610]
24.00 [610]	26.00 [660]
26.00 [660]	28.00 [711]
28.00 [711]	30.00 [762]
30.00 [762]	32.00 [813]



2907

Low profile with a narrow side space designed for 1U to 3U chassis.



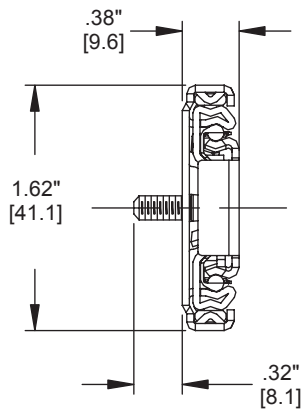
- Load capacity up to 115 lbs. [52 kg]/pair
- 2" [50.8 mm] over travel
- .38" [9.6 mm] side space
- Lock-out
- Lever disconnect
- Adjustable brackets included in standard packaging
- Even lengths 12"-30" [305-762 mm]



2907WB

Highly adaptable for 1U to 3U chassis in multiple rack configurations.

Part Number	Slide Length	Chassis Length	Slide Travel
22WB	23.0 [584]	21.95 [558]	24.00 [610]
24WB	25.00 [635]	23.95 [608]	26.00 [660]
26WB	27.00 [686]	25.95 [659]	28.00 [711]



- 120-lb. [55 kg] load capacity/pair
- 2" [50.8 mm] over travel
- .38" [9.6 mm] side space
- Lock-out
- Lever disconnect
- Front and rear brackets (included) compatible with 5/8" and 1/2" pitch patterns, and dual 5/8" patterns
- Slide-to-chassis hole patterns accommodate screw or pin mounting
- Even lengths 22", 24", 26" [584-686 mm]



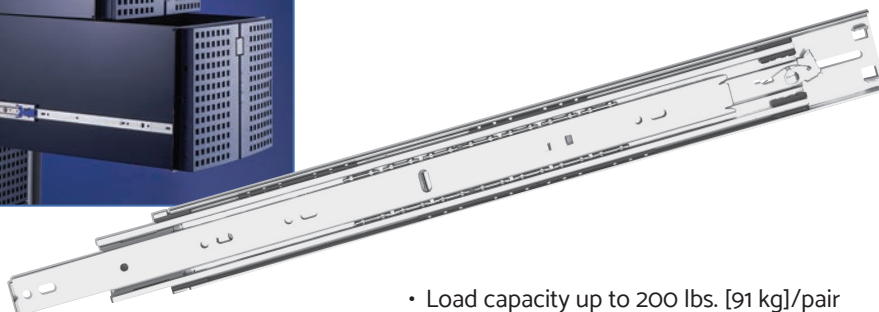
Reversible brackets fit all pitch patterns and provide more options for chassis positioning.



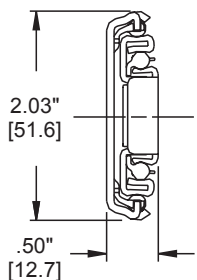
3507

Designed for heavy-duty chassis 4U to 8U.

Slide Length	Slide Travel
16.00 [406]	18.00 [457]
18.00 [457]	20.00 [508]
20.00 [508]	22.00 [559]
22.00 [559]	24.00 [610]
24.00 [610]	26.00 [660]
26.00 [660]	28.00 [711]
28.00 [711]	30.00 [762]
30.00 [762]	32.00 [813]



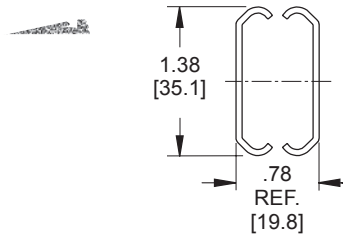
- Load capacity up to 200 lbs. [91 kg]/pair
- 2" [50.8 mm] over travel
- .50" [12.7 mm] side space
- Lock-out
- Latch disconnect
- One-Motion Insertion™ eases drawer insertion
- Even lengths 16"-30" [406-762 mm]
- Bracket mounting kit: P/N 4180-0480-XE



Cable Carriers

- Prevents sagging and tangling of cable when the chassis is moved.
- May be installed separately or as part of an Accuride chassis suspension system.
- Allows a minimum of 1" [25.4 mm] behind chassis when fully closed.

CC9



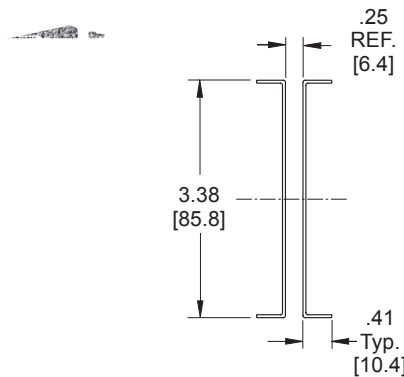
CC9-1 (Standard)

- 23" [584 mm] long when fully extended

CC9-2 (Manufactured to order)

- 29" [736 mm] long when fully extended
- Use with round cable
- Quick disconnect chassis fasteners
- For 2U and larger chassis
- Contact Accuride for 1U installation information

CC11



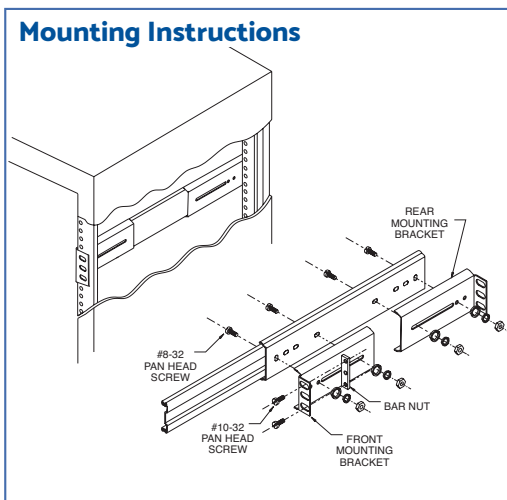
CC11

- 28.24" [717 mm] when fully extended
- Use with ribbon cable
- Wide arm
- Use customer-approved cable ties

Mounting Brackets & General Mounting Instructions

- Brackets simplify the installation of Accuride slides in electronic enclosures.
- Brackets fit over slides and mount to vertical rail.
- Use Rack Mounting Accessories Selection Guide located on Accuride's web site to choose compatible brackets.
- For each pair of slides order:
 - 4 brackets (usually 2 front brackets and 2 rear brackets)
 - 4 bracket-to-slide mounting kits
 - 4 bar nuts
- Short brackets are usually used at the front of the chassis and long brackets are used at the rear for increased adjustability.

The mounting brackets shown on the following page are designed specifically for Accuride slides. Slides properly installed with the correct mounting brackets will provide lasting, maintenance-free service. The diagram at the left illustrates the correct orientation of the mounting screws when attaching the brackets to the slides.



To ensure proper operation of the slide, make certain that all bracket mounting screw heads are inserted so the screw heads are inside the slides. The front bracket should first be positioned, then securely fastened in place. The rear bracket screws should be left sufficiently loose to allow adjustment while fitting to the vertical mounting rails.

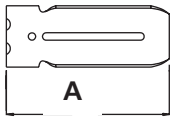
During installation in the enclosure, matching the alignment of the left hand and right hand slides is accomplished by installing one slide, then aligning it to the vertical mounting rails and securing the mounting screws. Then the other slide is installed, however the mounting screws are left sufficiently loose to permit horizontal adjustment. Moving the chassis in and out a few times prior to tightening the mounting screws will ensure proper alignment of the slides to each other and to the cabinet. Any sign of binding indicates lateral stress or misalignment.

Rack Mounting Brackets

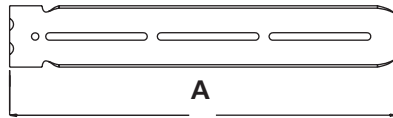
Model Numbers	A	A	B	B	B	C	D	E	F
	<i>Short</i>	<i>Long</i>	<i>4 Hole</i>	<i>3 Hole</i>	<i>2 Hole</i>				
201, 204A-LR, 301	4.51 [114.6]	11.01 [279.7]	2.50 [63.5]	1.65 [41.9]	1.51 [38.4]	.72 [18.3]	.29 [7.4]	.66 [18.8]	.60 [15.2]
305A-LR	4.31 [109.5]	10.81 [274.6]	2.50 [63.5]	1.65 [41.9]	1.51 [38.4]	.78 [19.8]	.29 [7.4]	.72 [18.3]	.60 [15.2]
2907	3.04 [77.1]	6.04 [153.3]	-	1.74 [44.2]	-	.69 [17.4]	.213 [5.41]	.213 [5.41]	.63 [15.9]
	-	11.04 [280.4]	-	1.63 [41.4]	-	.69 [17.4]	.213 [5.41]	.213 [5.41]	.63 [15.9]
3301, 3307, 3308	4.51 [114.6]	11.01 [279.7]	2.50 [63.5]	1.75 [44.5]	1.75 [44.5]	.72 [18.3]	.29 [7.4]	.55 [14.0]	.60 [15.2]
3507	3.01 [77.6]	6.06 [153.8]	-	2.19 [55.7]	-	.70 [17.8]	.213 [5.41]	.213 [5.41]	.63 [15.9]
3601, 3607	4.74 [120.4]	11.00 [279.4]	2.50 [63.5]	-	-	.72 [18.3]	.29 [7.4]	.51 [13.0]	.60 [15.2]

- See Rack Mounting Accessories Selection Guide at accuride.com for ordering part numbers.
- Brackets shown below are for Models 201/204A-LR/301 and are shown for representation only.

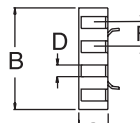
SHORT BRACKET



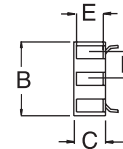
LONG BRACKET



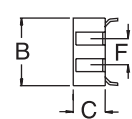
4-HOLE



3-HOLE



2-HOLE

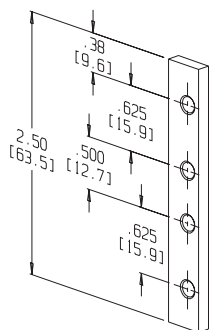


Bar Nuts

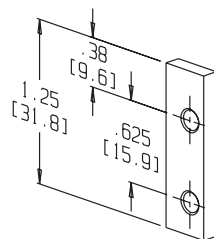
- Bar nuts simplify the installation and adjustment of Accuride slides in electronic enclosures
- It is easier to install bar nuts than individual nuts when access to the slide mounting bracket is limited
- Order 4 bar nuts per pair of slides

The following dimensions apply to all bar nuts:

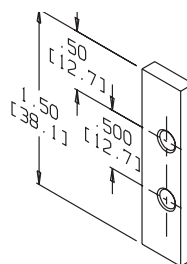
Thickness of bar nut:	.13 [3.2]
Width of bar nut:	.38 [9.6]
Mounting holes:	#10-32 thread
Mounting holes/center to edge:	.14 [3.6]



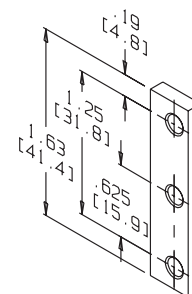
4100-0101-CE



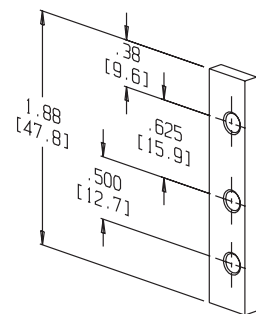
4100-0103-CE



4100-0106-CE



4130-0102-CE



4100-0108-CE



Industrial Applications
Light-Duty Slides
from 50 to 139 pounds



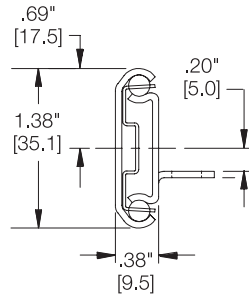


2002

Works well on pass-through drawers in walls and machinery.



- Load capacity up to 50 lbs. [22.5 kg]/pair
- 3/4 extension
- .38" [9.7 mm] side space
- Drawers up to 12" [305 mm] wide
- Non-disconnect
- Even lengths 12"-28" [305-711 mm]



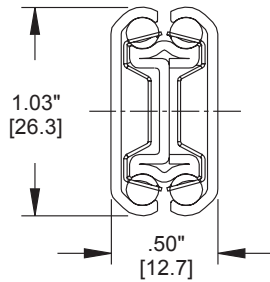
Slide Length	Front/Rear Travel
12.00 [305]	9.00 [229]
14.00 [356]	11.00 [279]
16.00 [406]	12.00 [305]
18.00 [457]	13.00 [330]
20.00 [508]	15.00 [381]
22.00 [559]	16.00 [406]
24.00 [610]	17.00 [432]
26.00 [650]	19.00 [483]
28.00 [711]	20.00 [508]



2601

Ideal for use in tool boxes, laboratory furniture, and store fixtures.

- Load capacity up to 75 lbs. [34 kg]/pair
- Full extension
- .50" [12.7 mm] side space
- Hold-in detent
- Non-disconnect
- Even lengths 8"-22" [200-550 mm]



Slide Length	Slide Travel
7.87 [200]	8.23 [209]
9.84 [250]	10.20 [259]
11.81 [300]	12.13 [308]
13.78 [350]	14.06 [357]
15.75 [400]	15.98 [406]
17.72 [450]	17.95 [456]
19.69 [500]	19.88 [505]
21.65 [550]	21.81 [554]

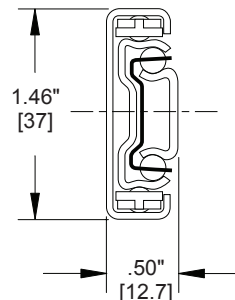


3732

A low profile slide suitable for shallow drawers.



- Load capacity up to 100 lbs. [45 kg]/pair
- Full extension
- .50" [12.7 mm] side space
- Hold-in detent
- Unhanded push latch disconnect
- Even lengths 12"-28" [300-700 mm]



Slide Length	Slide Travel
11.81 [300]	11.50 [292]
13.78 [350]	14.00 [355]
15.75 [400]	16.00 [406]
17.72 [450]	18.00 [456]
19.69 [500]	20.00 [508]
21.65 [550]	22.00 [554]
23.62 [600]	24.00 [610]
25.59 [650]	26.00 [660]
27.56 [700]	28.00 [711]

Slide Length	Slide Travel
5.84 [148]	5.50 [140]
7.84 [199]	8.00 [203]
9.84 [250]	9.57 [243]
11.81 [300]	12.00 [305]
13.78 [350]	14.00 [356]
15.75 [400]	16.00 [406]
17.72 [450]	18.00 [457]
19.69 [500]	20.00 [508]
21.65 [550]	22.00 [559]
23.62 [600]	24.00 [610]
25.59 [650]	26.00 [660]
27.56 [700]	28.00 [711]

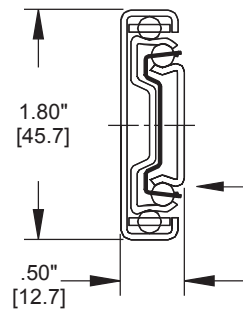


3832E Series

These full extension slides offer a host of features well suited for drawers or pull-out trays in medical, industrial, or mobile storage projects.

Common Features

- Load capacity up to 100 lbs. [45 kg]/pair
- Full extension
- .50" [12.7 mm] side space
- Lever disconnect



3832E

- Hold-in detent
- Even lengths 6"-28" [148-700 mm]

3832ESC

Self-Closing

- 100-lb. [45 kg] load rating
- Unique self-closing device
- Full extension
- Even lengths 12"-26" [350-650 mm]

3832EHDSC

Heavy-Duty Self-Closing

- Stronger self-closing device
- Even lengths 12"-28" [300-700 mm]

3832ETR/EHDTR

Standard & Heavy-Duty Touch Release

- 3832TR: 11 pounds of force to activate
- 3832HDTR: 17-19 pounds of force to activate
- Hold-in feature keeps drawers closed
- Opening mechanism requires 1/16" travel inward to activate
- Propels drawers open approximately 2" from the closed position
- Even lengths 12"-28" [300-700 mm]

CH3832

Weather-Resistant

- Special coating provides eight times more protection than standard zinc finish
- Stainless steel ball retainer, ball bearings, and rivets
- Even lengths 10"-28" [250-700 mm] 3832EC

Easy-Close

- Brings drawers to a smooth, gentle close
- Even lengths 14"-28" [350-700 mm]

3832EDO

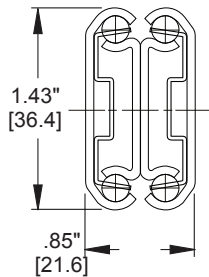
Detent-Out

- Detent-out holds drawers in an open position
- Even lengths 10"-28" [250-700 mm]



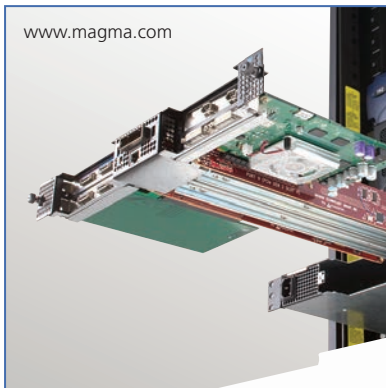
0363

Full extension and two-way travel provide access for carts, drive-through window drawers, and more.



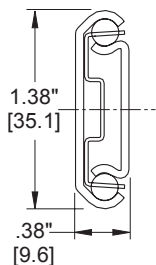
- Load capacity up to 100 lbs. [45 kg]/pair*
- Full extension from center point in both directions
- Hold-in detent at center
- .85" [21.6 mm] side space
- Non-disconnect
- Tested to 80,000 cycles
- Available lengths: 12", 14", 16", 18", 20", 22", 24", and 28" [300 mm, 350 mm, 400 mm, 450 mm, 500 mm, 550 mm, 600 mm and 700 mm]

Slide Length	Slide Travel x 2
11.81 [300]	26.14 [664]
13.78 [350]	30.24 [768]
15.75 [400]	34.00 [864]
17.72 [450]	38.11 [968]
19.69 [500]	42.00 [1064]
21.65 [550]	45.98 [1163]
23.62 [600]	50.00 [1254]
27.55 [700]	58.00 [1464]



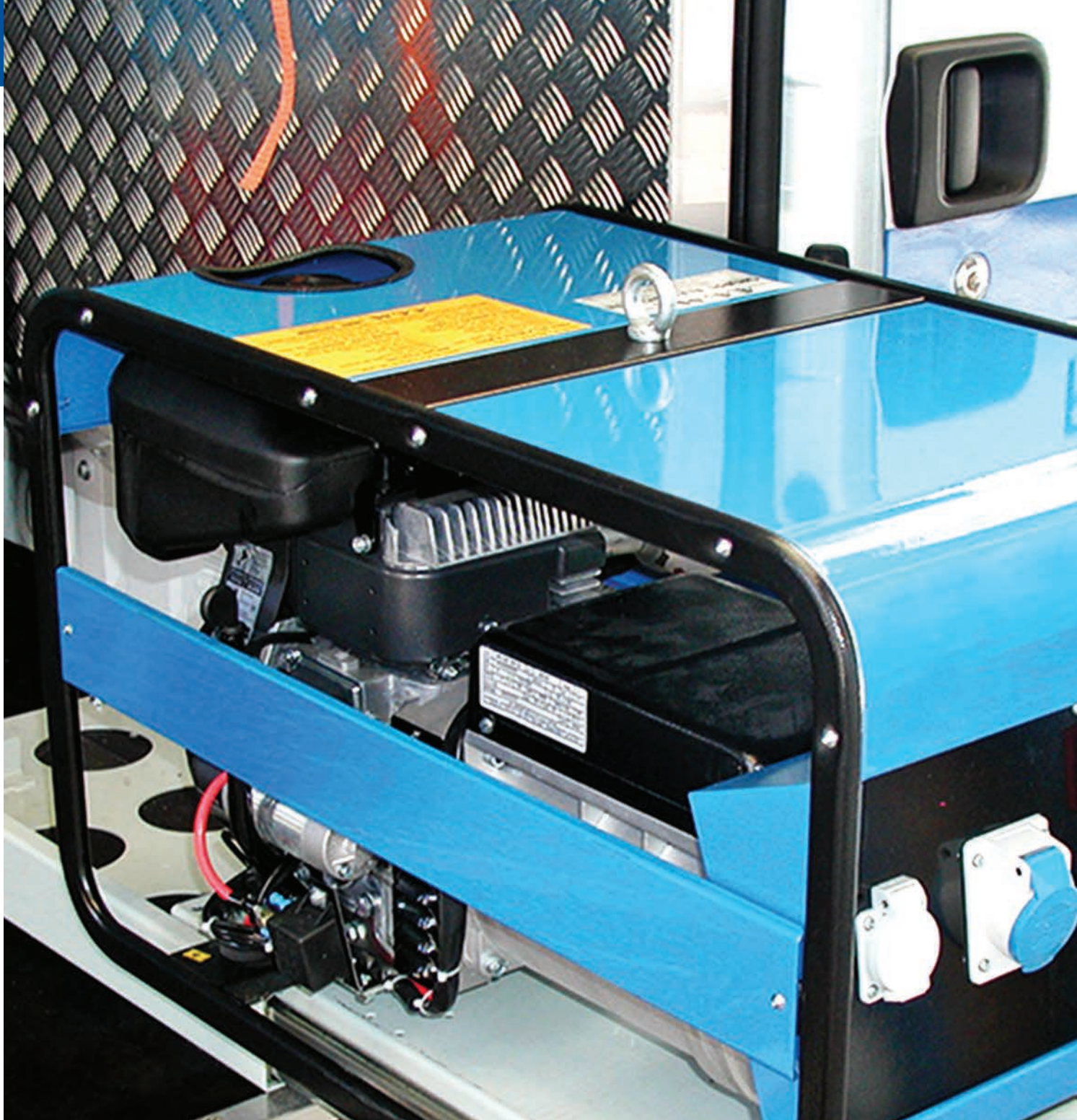
201

Good for POP displays, industrial workstations, or medical applications.



- Load capacity up to 108 lbs. [49 kg]/pair
- 3/4 extension
- .38" [9.6 mm] side space
- Non-disconnect
- Hold-in detent
- Even lengths 12"-28" [305-711 mm]
- Optional enclosure bracket mounting kit: P/N 4180-0222-XE

Slide Length	Front/Rear Travel
12.00 [305]	9.00 [229]
14.00 [356]	11.00 [279]
16.00 [406]	12.00 [305]
18.00 [457]	13.00 [330]
20.00 [508]	15.00 [381]
22.00 [559]	16.00 [406]
24.00 [610]	17.00 [432]
26.00 [650]	19.00 [483]
28.00 [711]	20.00 [508]



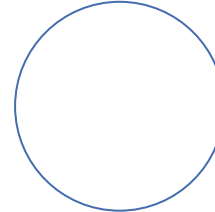
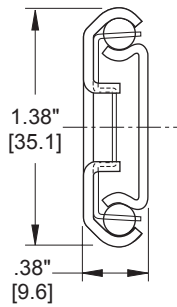
Industrial Applications
Medium-Duty Slides
from 140 to 169 pounds



204A-LR

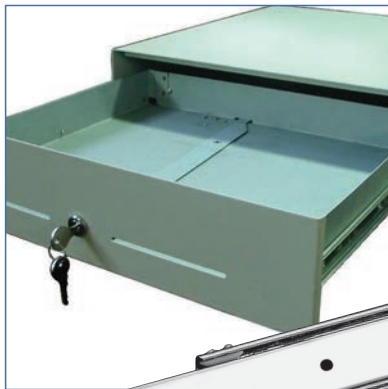
A lock-out feature holds drawers in an open position for safe access.

- Load capacity up to 140 lbs. [64 kg]/pair
- 3/4 extension
- .38" [9.6 mm] side space
- Lock-out
- Latch disconnect
- Even lengths 12"-28" [305-711 mm]
- Optional enclosure bracket mounting kit: P/N 4180-0222-XE



Latch Disconnect

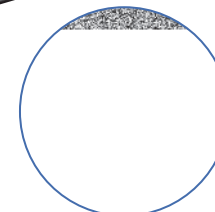
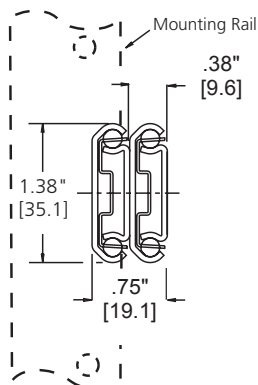
Slide Length	Slide Travel
12.00 [305]	8.00 [203]
14.00 [356]	10.00 [254]
16.00 [406]	12.00 [305]
18.00 [457]	13.00 [330]
20.00 [508]	15.00 [381]
22.00 [559]	16.00 [406]
24.00 [610]	17.00 [432]
26.00 [660]	19.00 [483]
28.00 [711]	20.00 [508]



305A-LR

Suitable for both industrial and enclosure applications. Lock-out and over travel offer secure and complete access.

- Load capacity up to 140 lbs. [64 kg]/pair
- .88" [22.4 mm] over travel
- .38" [9.6 mm] when mounted with optional brackets
- Latch disconnect
- Lock-out
- Rack mounting equipment:
Special brackets allow Model 305A-LR to be partially mounted behind the vertical rails, requiring only .38" [9.6 mm] side space.
- Bracket kit: P/N 4180-0223-XE
- Even lengths 12"-28" [305-711 mm]



Latch Disconnect

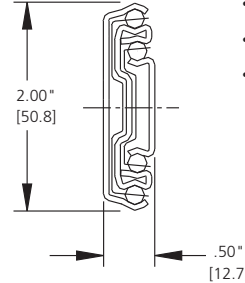
Slide Length	Slide Travel
12.00 [305]	12.88 [327]
14.00 [356]	14.88 [378]
16.00 [406]	16.88 [429]
18.00 [457]	18.88 [480]
20.00 [508]	20.88 [530]
22.00 [559]	22.88 [581]
24.00 [610]	24.88 [632]
26.00 [660]	26.88 [683]
28.00 [711]	28.88 [734]



3301•3307•3357•3308

Offers over travel for full access and mid-range load capacity in a narrower profile.

Model 3307



Common Features

- Load capacity up to 150 lbs. [68 kg]/pair
- 1" [25.4 mm] over travel
- .50" [12.7 mm] side space

3301

- Non-disconnect
- Even lengths 12"-28" [305-711 mm]

3307

- Latch disconnect
- Lock-out
- Even lengths 12"-30" [305-762 mm]

3357

- Latch disconnect
- Even lengths 12"-30" [305-762 mm]
- Detent-in

3308

- Lever disconnect
- Lock-in and lock-out
- Even lengths 12"-28" [305-711 mm]

Optional Bracket Mounting Kit

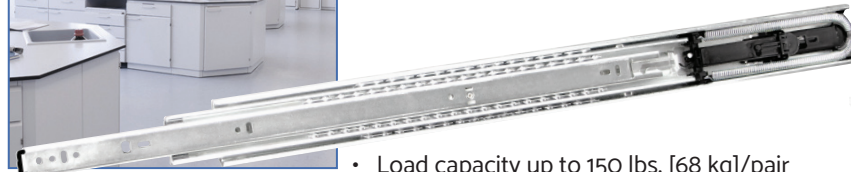
3301/3307/3308—for enclosure or rack mount applications: **P/N 4180-0219-XE**

Slide Length	Slide Travel
14.00 [356]	14.00 [356]
16.00 [406]	17.00 [432]
18.00 [457]	19.00 [483]
20.00 [508]	21.00 [533]
22.00 [559]	23.00 [584]
24.00 [610]	25.00 [635]
26.00 [660]	27.00 [686]
28.00 [711]	29.00 [737]

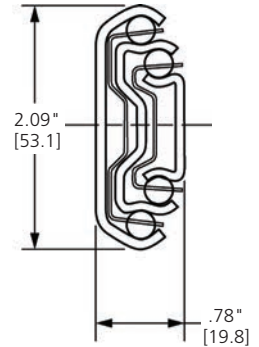


3634EC

Overtravel with Easy-Close action for heavier and wider drawers up to 42".



- Load capacity up to 150 lbs. [68 kg]/pair
- 1" [25.4 mm] over travel
- .78" [19.8 mm] side space
- Cabinet member hole pattern matches models 3832/3834
- Hold-in detent
- Lever disconnect
- Even lengths 14"-28" [355-711 mm]



NOTE: 14" length of this product is full extension

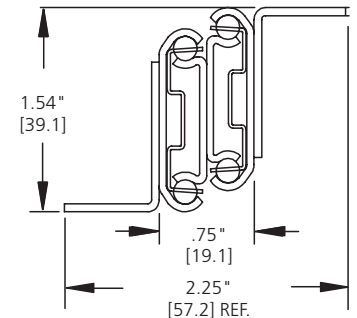
Slide Length	Slide Travel
12.00 [305]	12.83 [325.9]
14.00 [356]	14.83 [376.7]
16.00 [406]	16.83 [427.5]
18.00 [457]	18.83 [478.3]
20.00 [508]	20.83 [529.1]
22.00 [559]	22.83 [579.9]
24.00 [610]	24.83 [630.7]
26.00 [660]	26.83 [681.5]
28.00 [711]	28.83 [732.3]



301-2590

Mounts to top or bottom of cases; suitable for storage trays or shelves for items such as batteries or generators.

- Load capacity up to 155 lbs. [70 kg]/pair
- .83" [21 mm] over travel
- .75" [19.1 mm] side space (not including mounting flanges)
- Undercarriage mount
- Hold-in detent
- Non-disconnect
- Even lengths 12"-28" [305-711 mm]

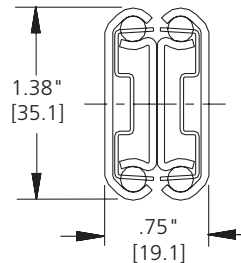


Slide Length	Slide Travel
12.00 [305]	12.88 [327]
14.00 [356]	14.88 [378]
16.00 [406]	16.88 [429]
18.00 [457]	18.88 [480]
20.00 [508]	20.88 [530]
22.00 [559]	22.88 [581]
24.00 [610]	24.88 [632]
26.00 [660]	26.88 [683]
28.00 [711]	28.88 [734]



301

Low profile and over travel provide access in electronic enclosures, medical equipment and electromechanical devices.



- Load capacity up to 175 lbs. [80 kg]/pair
- .88" [22.4 mm] over travel
- .75" [19.1 mm] side space
- Non-disconnect
- Even lengths 12"-28" [305-711 mm]

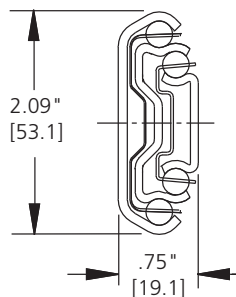
Optional Bracket Mounting Kit
P/N 4180-0222-XE

Slide Length	Slide Travel
12.00 [305]	13.00 [330]
14.00 [356]	15.00 [381]
16.00 [406]	17.00 [432]
18.00 [457]	19.00 [483]
20.00 [508]	21.00 [533]
22.00 [559]	23.00 [584]
24.00 [610]	25.00 [635]
26.00 [660]	27.00 [686]
28.00 [711]	29.00 [737]



3601

Over travel and heavy-duty capacity make this slide a popular choice for utility and industrial truck bodies, machine tools and mechanical devices.

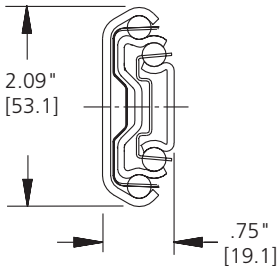


- Load capacity up to 255 lbs. [116 kg]/pair
- 1" [25.4 mm] over travel
- .75" [19.1mm] side space
- Non-disconnect
- Hold-in detent
- Even lengths 12"-28" [305-711 mm]



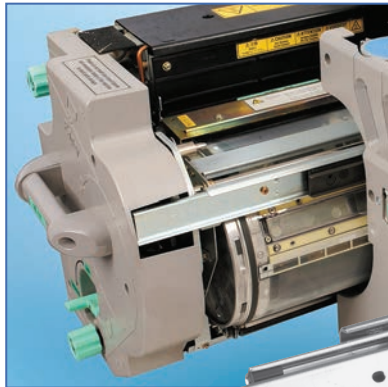
3600

Full extension and the higher load rating perform well in industrial workstations, machinery, and mechanical devices.



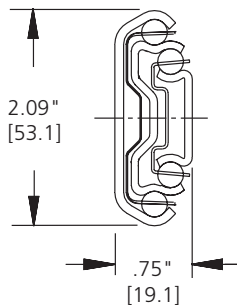
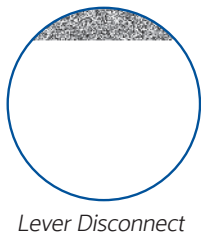
- Load capacity up to 273 lbs. [124 kg]/pair
- Full extension
- .75" [19.1 mm] side space
- Non-disconnect
- Hold-in detent
- Even lengths 12"-28" [305-711 mm]

Slide Length	Slide Travel
12.00 [305]	12.00 [305]
14.00 [356]	14.00 [356]
16.00 [406]	16.00 [406]
18.00 [457]	18.00 [457]
20.00 [508]	20.00 [508]
22.00 [559]	22.00 [559]
24.00 [610]	24.00 [610]
26.00 [660]	26.00 [660]
28.00 [711]	28.00 [711]



3607

Lock-out and lever disconnect are useful in applications such as machinery or electronic chassis where components may require service.



- Load capacity up to 273 lbs. [124 kg]/pair
- Full extension
- .75" [19.1 mm] side space
- Lever disconnect
- Lock-out
- Optional enclosure mounting brackets available
- Even lengths 12"-28" [305-711 mm]

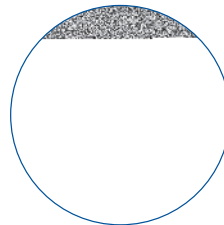
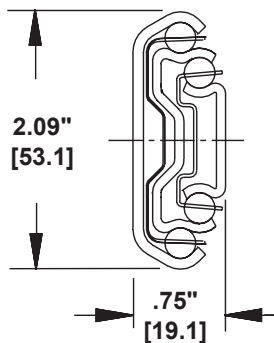
Slide Length	Slide Travel
12.00 [305]	12.00 [305]
14.00 [356]	14.00 [356]
16.00 [406]	16.00 [406]
18.00 [457]	18.00 [457]
20.00 [508]	20.00 [508]
22.00 [559]	22.00 [559]
24.00 [610]	24.00 [610]
26.00 [660]	26.00 [660]
28.00 [711]	28.00 [711]



www.embertonsmachine.com

3657

Provides solutions for applications such as bulk storage bins, trays, or pullout shelving units in environments ranging from garages to game rooms to grocery stores.



Lever Disconnect

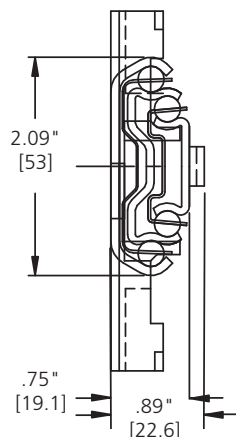
- Load capacity up to 273 lbs. [124 kg]/pair
- Full extension
- .75" [19.1 mm] side space
- Lever disconnect
- Hold-in detent
- Even lengths 12"-28" [305-722 mm]

Slide Length	Slide Travel
13.90 [353]	14.00 [356.0]
15.90 [355.6]	17.00 [432.0]
16.90 [406.4]	18.00 [457.0]
17.90 [457.2]	19.00 [483.0]
19.90 [508.0]	21.00 [533.0]
21.90 [558.8]	23.00 [584.0]
23.90 [609.6]	25.00 [635.0]
25.90 [660.4]	27.00 [686.0]
27.90 [711.2]	29.00 [737.0]



3641

Designed with an interlock system to prevent more than one drawer from opening at a time. Ideal for heavy multi-drawer applications where tipping might occur due to weight shift.



- Load capacity up to 180 lbs. [82 kg]/pair
- 1" [25.4 mm] over travel
- .89" [22.6 mm] side space
- Drawers up to 42" [1067 mm] wide
- One piece rail-and-pocket mount/disconnect system
- Front location of interlock eliminates reaching during installation
- Interfaces with central locking system
- Cut-to-length aluminum connecting rods
- Hold-in detent
- Even lengths 14"-28" and 17" [353-709 and 429 mm]

Note: #10 Under cut flat head. Screw (Not Included)
3642 Non-locking Companion Slide



7950/7957

These products provide an intermediate load rating choice in a .75" cross section width. Designed to accommodate drawers up to 42" wide.

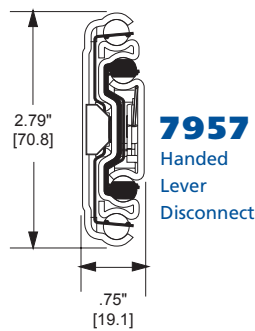
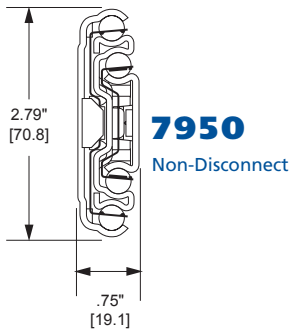


Model 7957

Model 7950

- May be side or flat mounted:
 - Side mount load capacity up to 350 lbs. [159 kg]/pair
 - Flat mount load capacity up to 150 lbs. [68 kg]/pair
- Full extension
- .75" [19.1 mm] side space
- 7950: non-disconnect
- 7957: handed lever disconnect
- Bridged ball retainer design minimizes retainer migration.
- Even lengths 12"-36" [305-914 mm]

Slide Length	Slide Travel
12.00 [304.8]	12.00 [304.8]
14.00 [355.6]	14.00 [355.6]
16.00 [406.4]	16.00 [406.4]
18.00 [457.2]	18.00 [457.2]
20.00 [508.0]	20.00 [508.0]
22.00 [558.8]	22.00 [558.8]
24.00 [609.6]	24.00 [609.6]
26.00 [660.4]	26.00 [660.4]
28.00 [711.2]	28.00 [711.2]
30.00 [762.0]	30.00 [762.0]
32.00 [812.8]	32.00 [812.8]
34.00 [863.6]	34.00 [863.6]
36.00 [914.4]	36.00 [914.4]



NOTE: Available by special order: Models 7937 (lever disconnect) and 7930 (non-disconnect), which offer the same features in a narrower cross section width of .724" [18.4 mm].



9301E

Offering heavy duty support in a variety of industrial storage applications. Optional platform brackets expand mounting options.



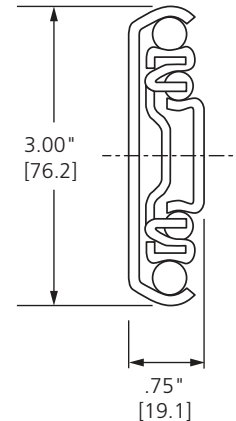
Slide Length	Slide Travel
10.00 [254.0]	10.00 [254.0]
12.00 [304.8]	12.00 [304.8]
14.00 [355.6]	14.00 [355.6]
16.00 [406.4]	16.00 [406.4]
18.00 [457.2]	18.00 [457.2]
20.00 [508.0]	20.00 [508.0]
22.00 [558.8]	22.00 [558.8]
24.00 [609.6]	24.00 [609.6]
26.00 [660.4]	26.00 [660.4]
28.00 [711.2]	28.00 [711.2]
30.00 [762.0]	30.00 [762.0]
32.00 [812.8]	32.00 [812.8]
34.00 [863.6]	34.00 [863.6]
36.00 [914.4]	36.00 [914.4]
40.00 [1016.0]	40.00 [1016.0]
42.00 [1066.8]	42.00 [1066.8]
44.00 [1117.6]	44.00 [1117.6]
48.00 [1219.2]	48.00 [1219.2]
54.00 [1371.6]	54.00 [1371.6]
60.00 [1524.0]	60.00 [1524.0]

- Full extension
- .75" [19.1 mm] side space
- Silenced movement
- Non-disconnect
- Available in even lengths 10"-36", 40", 42", 44", 48", 54", 60" [254-914 mm, 1016 mm, 1066 mm, 1118 mm, 1219 mm, 1524 mm]

Load Ratings/pair

- Flat mount up to 180 lb. [81 kg]*
Drawer widths up to 32" [813 mm]
- Mobile applications up to 360 lb. [163 kg]*
Drawer widths up to 32" [813 mm]
- Frequent usage up to 480 lb. [217 kg]
Drawer widths up to 42" [1067 mm]
- Moderate usage up to 600 lb. [272 kg]*
Drawer widths up to 24" [1066 mm]
- Bracket-mounted up to 420 lb. [190 kg]
Drawer widths up to 42" [1067 mm]
- Bracket-mounted up to 600 lb. [272 kg]
Drawer widths up to 18" [457 mm]

Note: Special packaging is available which includes one standard 9301 and one right-hand 9308E. Available lengths: 14"-36", 40", 42", 48", and 60". The part number for this packaging is 9308-E5.

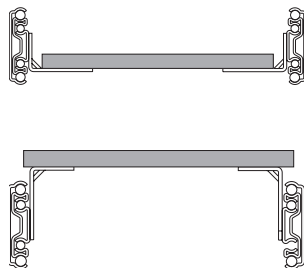


Platform Brackets

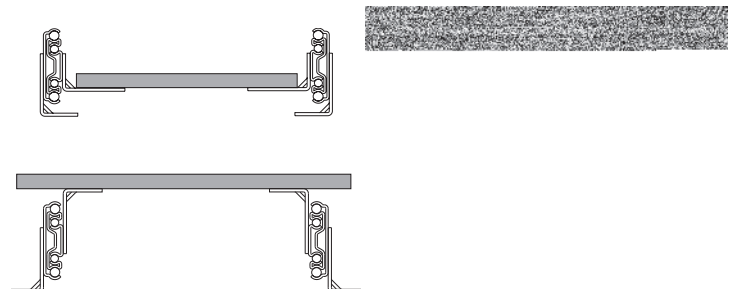
For use with Models 9301E, 9307E, and 9308E

- Provides 6 additional mounting configurations
- Available in lengths of 12", 16", 22", and 28" [305 mm, 406 mm, 559 mm, 711 mm]
- Four bracket lengths have been designed to be used individually or combined to accommodate all slide lengths
- See technical sheet for ordering information.

SIDE MOUNT APPLICATIONS



BOTTOM MOUNT APPLICATIONS



*See 9301 technical sheet for additional load rating information.



9307E Lock-out

Heavy duty with a lock-out for applications where secure access to equipment drawers and trays is required.

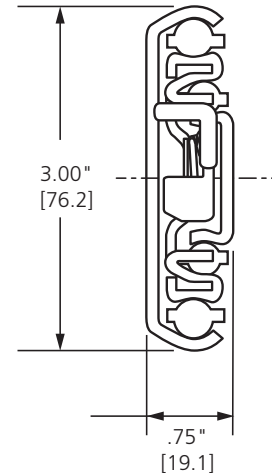
9308E Lock-in & Lock-out

Includes a lock-in and lock-out feature that secures drawers in an open or closed position. An ideal solution for mobile applications, such as emergency, recreational, and utility vehicles.



Model 9308E

Slide Length	Slide Travel
10.00 [254.0]	10.00 [254.0]
12.00 [304.8]	12.00 [304.8]
14.00 [355.6]	14.00 [355.6]
16.00 [406.4]	16.00 [406.4]
18.00 [457.2]	18.00 [457.2]
20.00 [508.0]	20.00 [508.0]
22.00 [558.8]	22.00 [558.8]
24.00 [609.6]	24.00 [609.6]
26.00 [660.4]	26.00 [660.4]
28.00 [711.2]	28.00 [711.2]
30.00 [762.0]	30.00 [762.0]
32.00 [812.8]	32.00 [812.8]
34.00 [863.6]	34.00 [863.6]
36.00 [914.4]	36.00 [914.4]
40.00 [1016.0]	40.00 [1016.0]
42.00 [1066.8]	42.00 [1066.8]
44.00 [1117.6]	44.00 [1117.6]
48.00 [1219.2]	48.00 [1219.2]
54.00 [1371.6]	54.00 [1371.6]
60.00 [1524.0]	60.00 [1524.0]



Load Ratings/pair

Mobile applications:

- 360 lbs. [163 kg]*
- Drawer widths up to 32" [813 mm]

Frequent usage:

- 480 lbs. [217 kg]**
- Drawer widths up to 42" [1067 mm]

Moderate usage:

- 600 lbs. [272 kg]*
- Drawer widths up to 18" [457 mm]

* Load ratings based on 10,000 cycle test

** Load rating based on 50,000 cycle test

Common Features

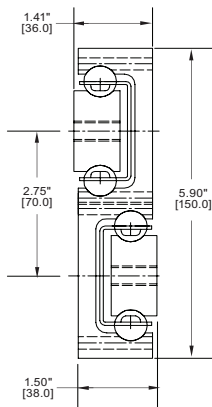
- Full extension
- .75" [19.1 mm] side space
- Non-disconnect
- Lock-in/Lock-out actuated with lever at front of slide
- Compatible with optional platform brackets (see page 24)
- For locking on one side only, order non-locking companion slide Model 9301E **
- Available in even lengths 12"-36", 40", 42", 48", 54", 60" [305-914 mm, 1016 mm, 1066 mm, 1219 mm, 1524 mm]

****Note:** Special packaging is available which includes one standard 9301E and one right-hand 9308E. Available lengths: 14"-32", 36", 40", 48", and 60". The part number for this packaging is 9308-E5.



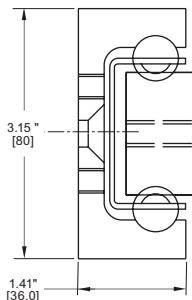
AL4140

- Full extension
- 1.5" [38 mm] side space
- Load rating up to 1,323 lbs. [600 kg]/pair



AL4120

- 3/4 extension
- 1.42" [36 mm] side space
- Load rating up to 1,212 lbs. [550 kg]/pair



AL4140

Slide Length	Slide Travel
15.75 [400]	15.82 [402]
19.68 [500]	21.38 [543]
23.62 [600]	24.60 [625]
27.56 [700]	27.83 [707]
31.50 [800]	33.39 [848]
35.43 [900]	36.61 [930]
39.38 [1000]	39.84 [1012]
43.30 [1100]	45.40 [1153]
47.24 [1200]	48.62 [1235]

AL4120

Slide Length	Slide Travel
15.75 [400]	11.42 [402]
19.69 [500]	14.17 [543]
23.62 [600]	16.93 [430]
27.56 [700]	19.72 [501]
31.50 [800]	22.52 [572]
35.43 [900]	25.28 [642]
39.37 [1000]	28.07 [713]
43.31 [1100]	30.83 [783]
47.24 [1200]	35.58 [853]

Super Heavy-Duty Slides

Lightweight aluminum combined with stainless steel ball bearings and ball retainers provides corrosion resistance and strength.

Common Features

- Load rating based on a pair of slides spaced 24" [610 mm] apart and tested to 5,000 cycles.
- Non-disconnect
- Stainless steel ball bearings

AL4160 Lengths

- Lengths: 12"-20", 32", 36", and 40" [300mm, 350mm, 400mm, 450mm, 500mm, 550mm, 800mm, 900mm, 1000mm]*

AL4140 & AL4120 Lengths

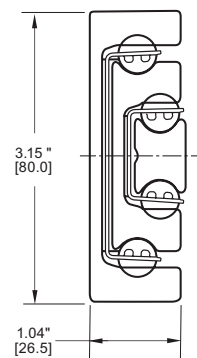
- Lengths: 16", 20", 24", 28", 32", 36", 40", 44" and 48" [400mm, 500mm, 600mm, 700mm, 800mm, 900mm, 1000m, 1100mm, 1200mm]*

*The lengths indicated in inches are approximate conversions from the metric measurements. Please see the chart at left or the product technical sheet for exact dimensions.



AL4160

- Full extension
- 1.04" [26.5 mm] side space
- Load rating up to 661 lbs. [300 kg]/pair



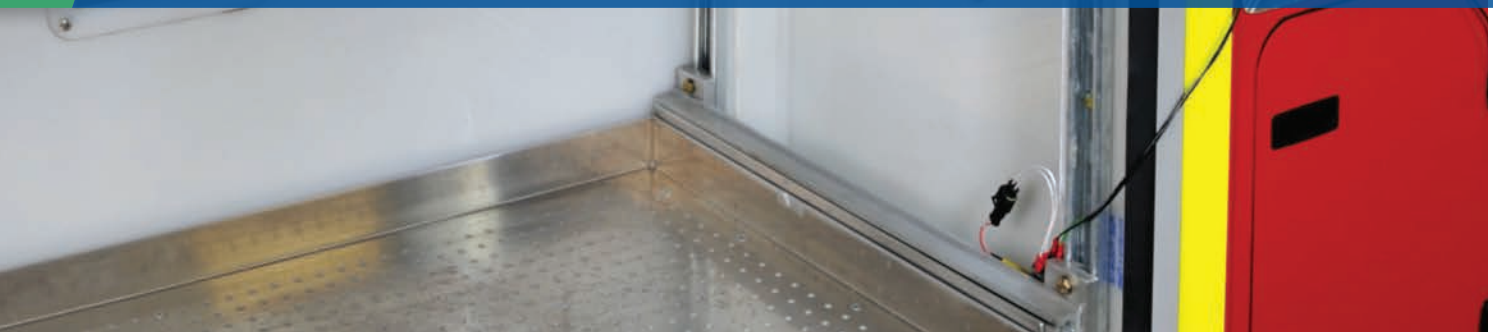
AL4160

Slide Length/Travel
11.81 [300]
13.78 [350]
15.75 [400]
17.72 [450]
19.69 [500]
21.65 [550]
23.62 [600]
25.59 [650]
27.56 [700]
31.50 [800]
35.43 [900]
39.37 [1000]



Industrial Applications

Specialty Slide Products



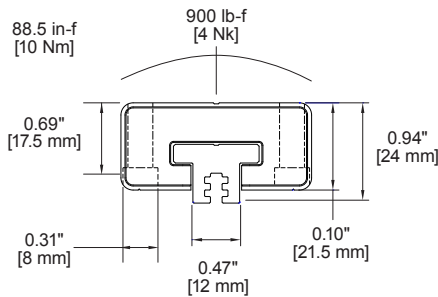


NEW! **FG115 Friction Guide**

This bold new product brings smooth, maintenance-free movement to the toughest industrial applications. This innovative system, made up of a carriage and track, is light, easy to install, and self-lubricating.



FG115AA – Auto Adjust Shown



Key Features

- **4,000N** load capacity (900 lb-f)
- **Lightweight** rail and carriages
- **Three** carriage options
- **Ultra-low** wear
- **No lubrication** needed
- **Suitable** for harsh environments
- **Vibration-resistant** with quiet operation
- **Corrosion-resistant**
- **Rail heatsink** feature

Material Specifications

- Aluminum 6000 series
- Hard anodized (50 micron), ultra-hard gliding surface
- Advanced technical polymer friction element

Components

- **FG115-0100T**: 39.37" [1 m] Aluminum Rail
- **FG115-0200T**: 78.74" [2 m] Aluminum Rail
- **FG115-CASSAA**: Carriage - Auto Adjust
- **FG115-CASSMA**: Carriage - Manual Adjust
- **FG115-CASSNA**: Carriage - Non-Adjust



Non-Adjust Carriage

A cost-effective option when you don't need to adjust movement or clearance.



Manual Adjust Carriage

An ideal option when you want to fine-tune for the perfect clearance or preload. All you need is an Allen wrench.



Auto-Adjust Carriage

Your choice when you want constant preload force for the life of your system.



CB-Hand Locking Handle Kit

Adds lock-in and lock-out features to heavy-duty drawers or trays. Suitable for installations where the locking feature provides a measure of safety.

Features

- Compatible with slide cross sections .75" [17.5 mm] or greater.
- Accommodates drawers up to 60" [1.5 mm] wide.
- Activates with a centrally located push-button.
- Two locking options:
 - Front mounted unit – lock-in only (CBHand-2)
 - Rear mounted unit – lock-in and lock-out (CBHan4-5)
- Lightweight and corrosion resistant components



CB-Hand-2

CB-Hand Optional Kits

CBHAN4-5

Lock-out conversion kit

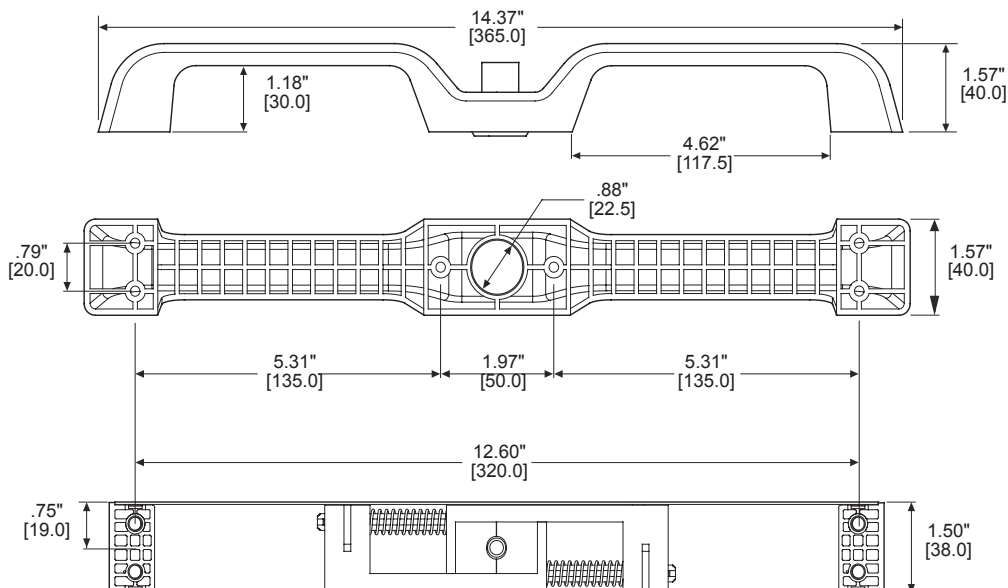
CBHAN3-0100-2

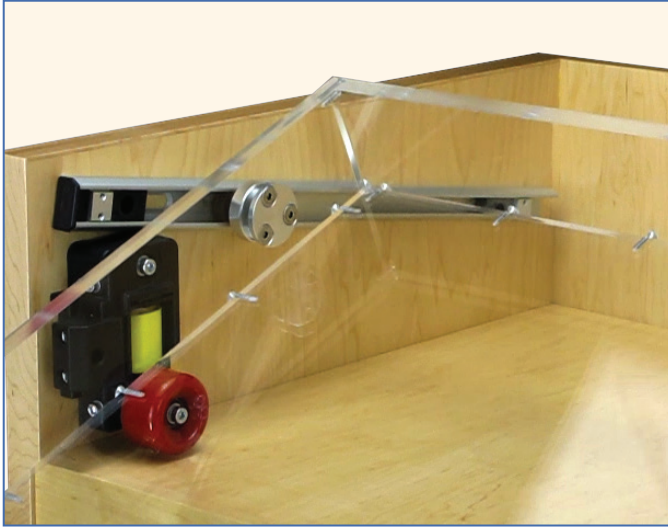
2 ea. 19.7" [500 mm] Stainless Steel Rods

CBHAN3-0150-2

2 ea. 29.5" [750 mm] Stainless Steel Rods

Note: See product technical sheet for details.





AL4190 Tilt Track System

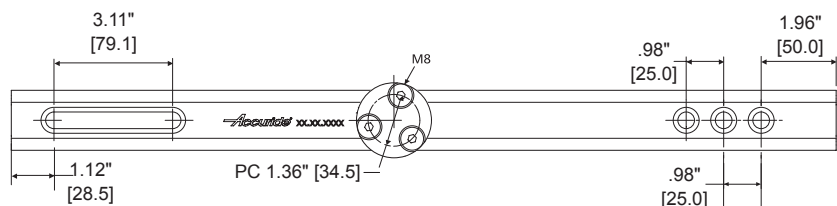
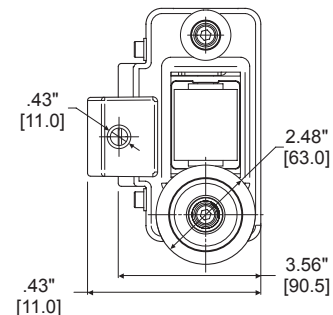
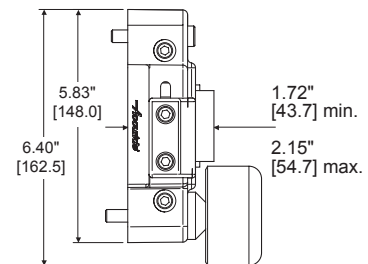
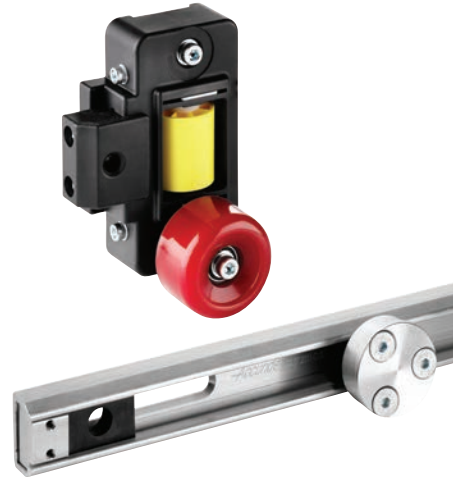
A track system that extends and tilts drawers downward for easy viewing and access to contents. Use for supply and equipment storage in mobile applications when paired with CB-Hand for warehouse, manufacturing, or garage facilities.

Features

- Extends and tilts downwards
- Drawers up to 40" wide
- Aluminum tracks in lengths of 24" and 40"
- Track can be cut to length for custom fit
- Non-disconnect
- Up to 140 lb. load rating
- Corrosion resistant
- Angle of tilts is determined by installer
- Fully adjustable from the front and with the drawer in place
- Can be used with CBHand-2 Locking Handle Kit to add lock-in feature

Components

Model AL4190 is sold as a kit that includes: 2 each aluminum tracks, wheel roller assembly, track rollers, and cover caps, and, 4 each bumper stops and end stops.

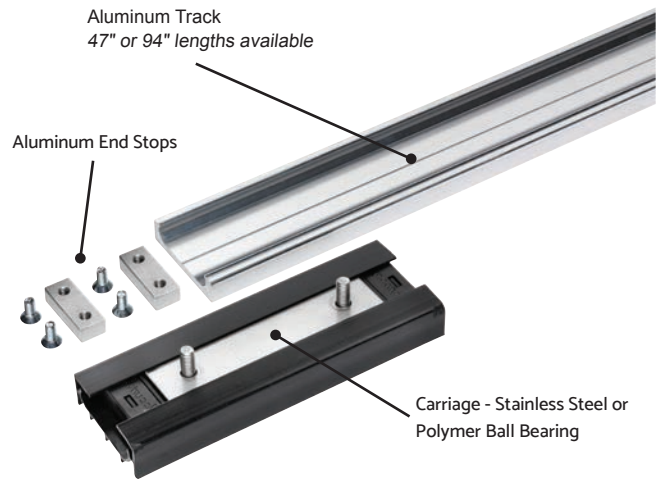


Accuride Linear Track Systems

Accuride linear track systems use lightweight, corrosion-resistant aluminum tracks and recirculating ball carriages to guide, move, or position screens, panels, and partitions. Adaptable in many ways, you'll find our systems in industrial, commercial, medical, and institutional environments.

Common Features & Benefits

- **Multiple mounting methods**
 - The track may be side, flat, or vertically mounted.
 - When flat mounted, track may be oriented with the ball carriage facing up or down.
 - Vertical mounting is for non-load bearing applications. (May require auxiliary support device or motorized actuator.)
- **Two re-circulating ball carriage options**
 - Stainless steel ball bearings: provides the greatest load capacity.
 - Polymer ball bearings: for smooth and quiet movement.
- **Multiple carriages may be inserted into tracks**
 - Carriages may be used separately to provide independent movement, combined as a unit, or both methods within one track.



115RC

For light- and medium-duty applications

- **Aluminum track available in two lengths: 47" and 94"**
 - Corrosion-resistant track may be cut to the desired length. Available with or without pre-drilled holes.
 - Multiple lengths of track can be butted together to extend the track to any distance required.
- **Load Capacity up to 265 lbs. [120kg]**
- **Easy Installation**
 - Tracks with and without fixing holes
 - Tracks have drilling marks for fixing holes and end stops.
 - End stops are attached after the carriages are inserted to contain carriages.

Components

Tracks and carriages are priced and sold singly.

- ALO115-012ORCH.....47" Aluminum Track (x1) with Pre-Drilled holes
- ALO115-024ORCH.....94" Aluminum Track (x1) with Pre-Drilled holes
- ALO115-012ORC.....47" Aluminum Track (x1) without Pre-Drilled holes
- ALO115-024ORC.....94" Aluminum Track (x1) without Pre-Drilled holes
- SSO115-CASSRC.....Carriage - Stainless Steel Balls (x1)
- CBO115-CASSRC.....Carriage - Polymer Balls (x1)
- ALO115-STOPRC.....Aluminum End Stop (1 stop + 2 screws)

115RC Optional Accessories

- DZO115-DJIGRC.....Drilling Jig (made to order)
- CB0115-ECRC.....Easy-Close Kit
- 4180-0757-XE.....Nuts and Washers for Individual Carriages
 - 2 ea. M5 .80" Barrel nuts
 - 2 ea. Star washers

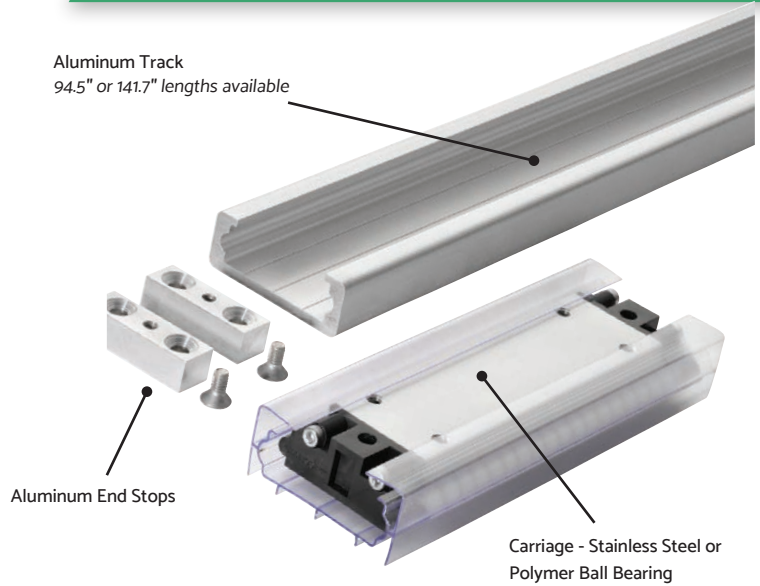
NOTE: Due to the extensive variety of applications and possible orientations for this product, we recommend that customers first test this product in the intended application. This product is not recommended for high-torque applications.

Side Mount	SSO115-CASSRC Stainless Steel Ball Carriage	CBO115-CASSRC Polymer Ball Carriage
	X1 - 110 lbs.	X1 - 65 lbs.
	X2 - 200 lbs.	X2 - 120 lbs.
	X3 - 265 lbs.	X3 - 160 lbs.
Flat Mount Carriage UP	SSO115-CASSRC Stainless Steel Ball Carriage	CBO115-CASSRC Polymer Ball Carriage
	X1 - 65 lbs.	X1 - 40 lbs.
	X2 - 120 lbs.	X2 - 70 lbs.
	X3 - 155 lbs.	X3 - 90 lbs.
Flat Mount Carriage DOWN	SSO115-CASSRC Stainless Steel Ball Carriage	CBO115-CASSRC Polymer Ball Carriage
	X1 - 90 lbs.	X1 - 50 lbs.
	X2 - 155 lbs.	X2 - 90 lbs.
	X3 - 200 lbs.	X3 - 120 lbs.

Note: Weight should be evenly distributed across the carriage(s).

115RC Optional Accessories

- 4180-0756-XE.....115RC Hardware Kit
with Polymer Ball Carriages
 - 2 ea. CBO115-CASSRC
 - 2 ea. ALO115-STOPRC
 - 4 ea. M5 .80" Barrel nuts
 - 4 ea. Star washers
- 4180-0746-XE.....115RC Hardware Kit
with Stainless Steel Ball Carriages
 - 2 ea. SSO115-CASSRC
 - 2 ea. ALO115-STOPRC
 - 4 ea. M5 .80" Barrel nuts
 - 4 ea. Star washers



116RC

For heavy-duty applications

- Aluminum track available in two lengths: **94.5" and 141.7"**
 - Multiple lengths of track can be butted together to extend the track to any distance required.
- Load Capacity up to **793 lbs. [360kg]**
- Can be fitted for sliding door application
- ADA compliant

Components

Tracks and carriages are priced and sold singly.

- ALO116-0240RC..... 94.5" Aluminum Track (x1)
- ALO116-0360RC.....141.7" Aluminum Track (x1)
- SSO116-CASSRC.....Carriage - Stainless Steel Balls (x1)
- CBO116-CASSRC.....Carriage - Polymer Balls (x1)
- ALO116-STOPRC.....Aluminum End Stop (1 stop + 2 screws)
- SSO116-BRKT01RC.....Recycling Bracket (x1)

11RC Optional Kits

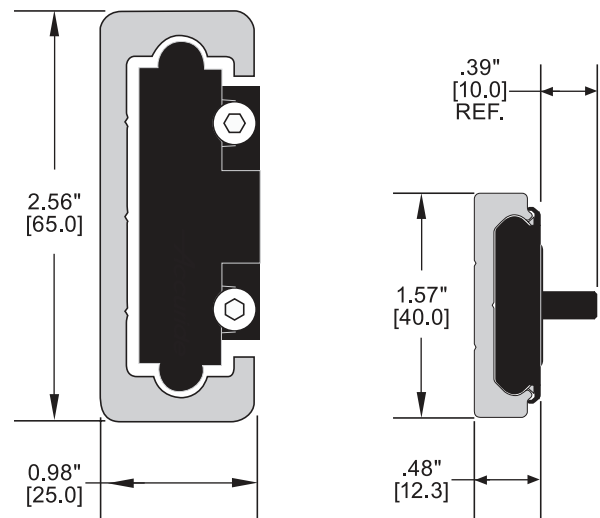
- CBO116-DAMPDamper (x1)

Sliding Door Hardware

- ALO116-SUPPRC.....Support Beam (x1)
- ALO116-FASCRC.....Fascia (x1)
- ALO116-ECAPRC-2.....Fascia end caps (2 caps + 8 screws)
- SSO116-BRKT-KITBracket Kit tool (x1)

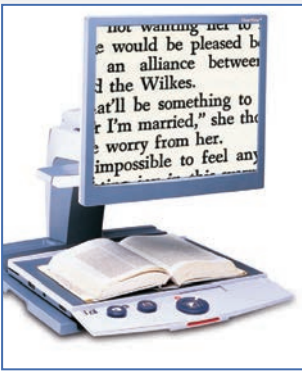
Side Mount	SSO115-CASSRC Stainless Steel Ball Carriage	CBO115-CASSRC Polymer Ball Carriage
	331 lbs. (x1)	220 lbs. (x1)
	639 lbs. (x2)	397 lbs. (x2)
	793 lbs. (x3)	529 lbs. (x3)
Flat Mount Carriage UP	SSO115-CASSRC Stainless Steel Ball Carriage	CBO115-CASSRC Polymer Ball Carriage
	198 lbs. (x1)	132 lbs. (x1)
	361 lbs. (x2)	240 lbs. (x2)
	465 lbs. (x3)	309 lbs. (x3)
Flat Mount Carriage DOWN	SSO115-CASSRC Stainless Steel Ball Carriage	CBO115-CASSRC Polymer Ball Carriage
	264 lbs. (x1)	176 lbs. (x1)
	465 lbs. (x2)	311 lbs. (x2)
	595 lbs. (x3)	396 lbs. (x3)

Note: Weight should be evenly distributed across the carriage(s).



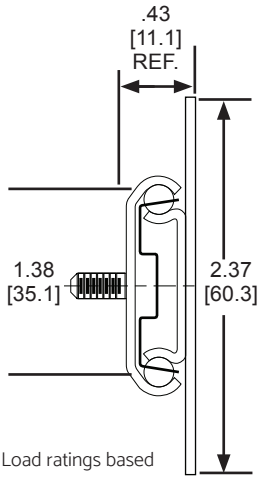
116RC

115RC



115

Model 115 is a linear motion ball bearing slide designed for component guidance, support, or adjustment in applications from manufacturing machinery to utility vehicles to diagnostic equipment.



* Load ratings based on 10,000 cycle test

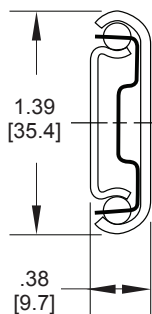
- Load ratings:
 - Flat mount - up to 132 lbs. [60 kg]/pair
 - Side mount - up to 110 lbs. [50 kg]/pair
- May be mounted vertically as a non-load bearing guide
- .43" [11 mm] width, 1.38" [35.1 mm] height
- Non-disconnect
- Provides captive motion within the length of the outer member
- A guide belt synchronizes the moving elements of the slide for smooth and consistent travel
- Moving member is fully supported on ball bearings
- Lengths: 12"-28" in 2" increments, plus 32", 36", and 40" [305-711 mm, 813 mm, 914 mm, 1016 mm]

Slide Length	Slide Travel
12.00 [305]	8.90 [226]
14.00 [356]	10.87 [276]
16.00 [406]	12.87 [327]
18.00 [457]	14.88 [378]
20.00 [508]	16.89 [429]
22.00 [559]	18.90 [480]
24.00 [607]	20.87 [530]
26.00 [660]	22.87 [581]
28.00 [711]	24.88 [632]
32.00 [813]	28.90 [734]
36.00 [914]	32.87 [835]
40.00 [1016]	36.79 [937]



SS2028

Stainless steel for corrosion resistance in applications such as food or chemical storage.



- Load capacity up to 100 lbs. [45 kg]/pair*
- 3/4 extension
- Corrosion resistant
- Hold-in detent
- .38" [9.5 mm] side space
- Non-disconnect
- Even lengths 12"-28" [300-700 mm]**
- Food-safe grease available by special order

Slide Length	Slide Travel
11.81 [300]	8.23 [209]
13.78 [350]	9.64 [245]
15.75 [400]	11.10 [282]
17.72 [450]	12.60 [320]
19.69 [500]	14.06 [357]
21.65 [550]	15.51 [394]
23.62 [600]	17.00 [432]
25.59 [650]	18.46 [469]
27.56 [700]	19.92 [506]

* Load rating based on 18" slides in an 18" wide drawer cycled 80,000 times

** The lengths indicated in inches are approximate conversions from the metric measurements. Please see the chart above or the product technical sheet for exact dimensions.

Slide Length	Slide Travel
11.81 [300]	11.98 [304.5]
13.77 [350]	13.93 [354]
15.74 [400]	15.86 [403]
17.71 [450]	17.79 [452]
19.68 [500]	19.72 [501]
21.65 [550]	21.67 [550.5]
23.62 [600]	23.62 [600]
27.55 [700]	27.48 [698]

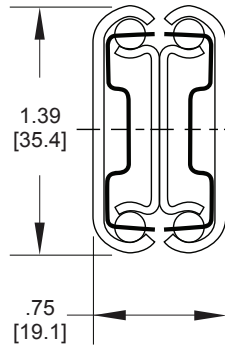


SS0330

Stainless steel and full extension for applications subject to moisture or humidity.



Stainless Steel



- Load capacity up to 143 lbs. [65 kg]/pair*
- Full extension
- Corrosion resistant
- Hold-in detent
- .75" [19.1mm] side space
- Non-disconnect
- Available in even lengths 12"-24" [300-600 mm], plus 28" [700 mm]**
- Food-safe grease available by special order

Slide Length	Slide Travel
11.81 [300]	12.74 [323.5]
13.78 [350]	14.70 [373.5]
15.75 [400]	16.67 [423.5]
17.72 [450]	18.64 [473.5]
19.68 [500]	20.61 [523.5]
21.65 [550]	22.58 [573.5]
23.62 [600]	24.55 [623.5]
27.56 [700]	28.48 [723.5]
31.10 [790]	31.63 803.5]

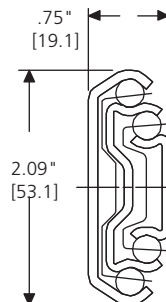


SS5321

Stainless steel offers corrosion resistance for applications exposed to moisture such as marine or industrial storage.



Stainless Steel



- Load capacity up to 352 lbs. [160 kg]/pair*
- 1" [25.4 mm] over travel
- Corrosion resistant
- Hold-in detent
- .75" [19.1mm] side space
- Non-disconnect
- Available in even lengths 12"-24", 28", 31" [300-600, 700, 790 mm]**
- Food-safe grease available by special order

* Load rating based on 18" slides in an 18" wide drawer cycled 80,000 times

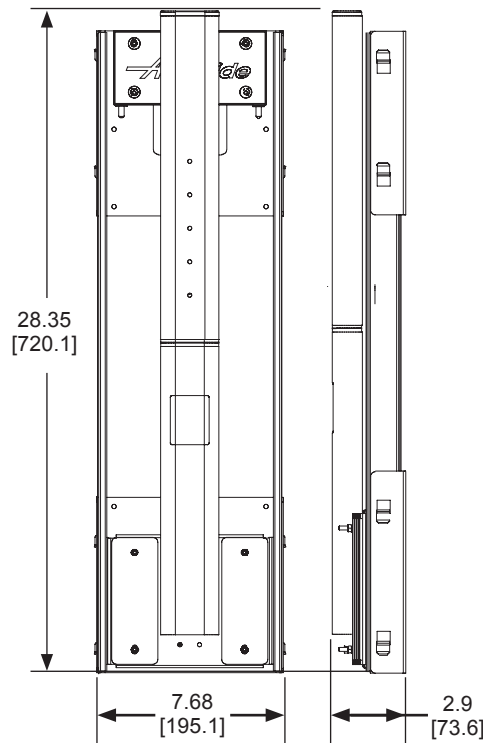
** The lengths indicated in inches are approximate conversions from the metric measurements. Please see the chart above or the product technical sheet for exact dimensions.



Ascent CBLift-0019

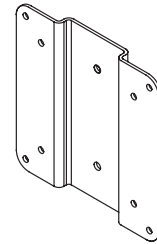
The Ascent is a push-to-operate mechanical lift that provides access and conceals screens in desks and other cabinetry when not in use.

- Accommodates screens from 5.5-14.5 pounds [2.5-6.6 kg], up to 17.5 inches tall, and 22 inches diagonally
- No power required, movement is controlled by counterbalancing weights and springs.
- Swivels $\pm 112.5^\circ$ for expanded viewing access
- Easy to install
- Unit raises 21 inches when pressed down.
- Packaging includes wire management, cable control kit, and one weight pack
- Black electroplate finish

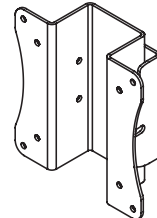


The slim and compact design makes the Ascent a multi-purpose solution for a wide range of applications in industrial, commercial, institutional, and manufacturing environments.

Optional
VESA
Fixed
Bracket



Optional
VESA
Tilt
Bracket



Optional Kits

Additional Weight Pack

(3.88 oz. [10X] plates)
P/N 2990-9774-BE

Weight Extension Plate Kit

P/N 2990-9775-BE

VESA Tilt Bracket

P/N 2990-9776-BE

VESA Fixed Bracket

P/N 2990-9777-BE



20 Series Slides

The 20 Series is a

The 20 Series is a family of slides using a novel mounting system pioneered by Accuride. These slides feature a convenient pocket-and-bayonet design for quick, hassle-free mounting and removal on metal applications. Those applications include metal furniture, toolboxes, medical carts, and more.

Quick and Easy Installation

These products have a standardized bayonet/pocket installation system that simplifies and speeds up slide integration. Installers simply snap the slides into position, without the need for screws, washers, or lock nuts. The slide is secured in position with locking tabs or barbs.

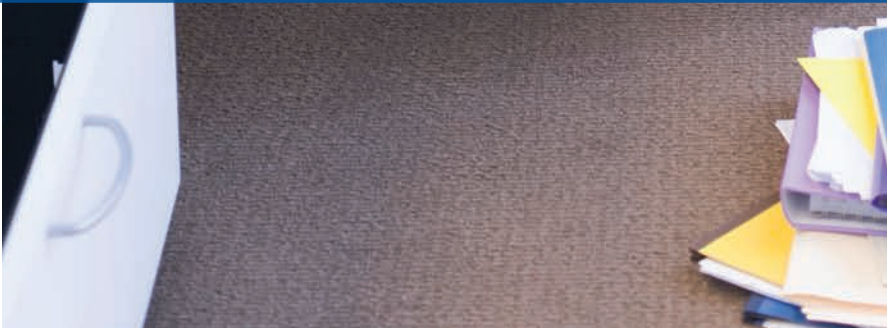
Manufacturers have discovered that by setting up their cases or cabinets to the pitch and gap of the 20 Series slides, they can significantly reduce labor and material costs.

Ordering and Availability

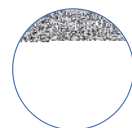
All 20 Series slides are handed and have features which require a pair of slides, one left hand and one right hand slide, per drawer. All models are ordered as pairs. The drawings in this section are left hand slides. If a modification to this system is required to fit your specific application, please contact your Accuride representative for design assistance.

Minimum order quantities, tooling charges, and manufacturing leadtimes apply.

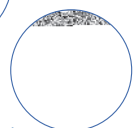
Industrial Applications 20 Series Slides Pocket & Bayonet



Pocket

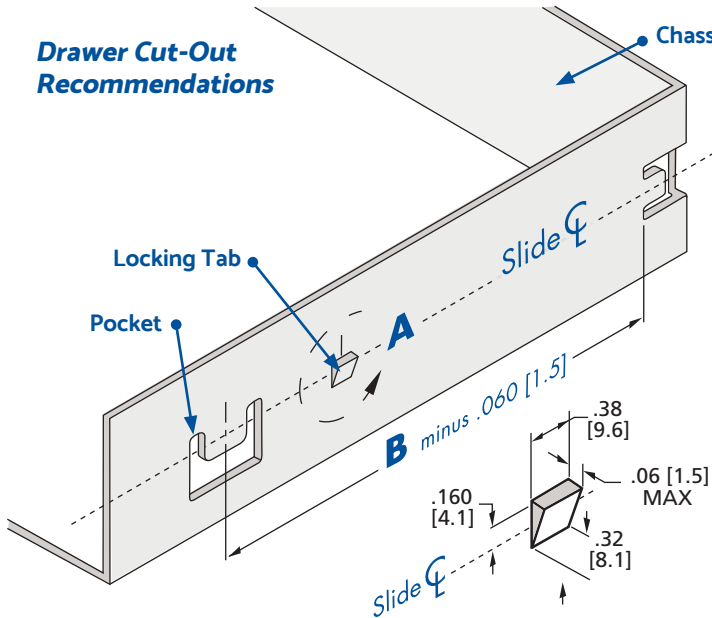


Bayonet



How the 20 Series Slides Work

To accommodate the pocket and bayonet mounting style, the cabinet or case is set up with vertical columns or "hat" sections that have cutouts to carry the bayonets located on the slide's outer member. The drawers, trays, or shelves are set up with bayonets and locking tabs, the bayonets fit into the pockets on the slide's inner member and the locking tabs secure the slide.



Material Modifications*

Gauge	Material Thickness	Dim. "D"	Dim. "E"
16	.060 [1.52]	.855 [21.7]	.395 [10.0]
18	.048 [1.22]	.865 [22.0]	.405 [10.3]
20	.036 [.91]	.885 [22.5]	.425 [10.8]
22	.030 [.76]	.905 [23.0]	.435 [11.1]

For dimension "B", see tabulated tables for each slide model.

* Cut-out recommendations are based on 16-gauge material thickness. If a thinner material is used, adjustments to the cut-outs must be made to ensure a proper fit. Refer to the Material Modifications table above right for the required modifications for 16- to 22-gauge material.

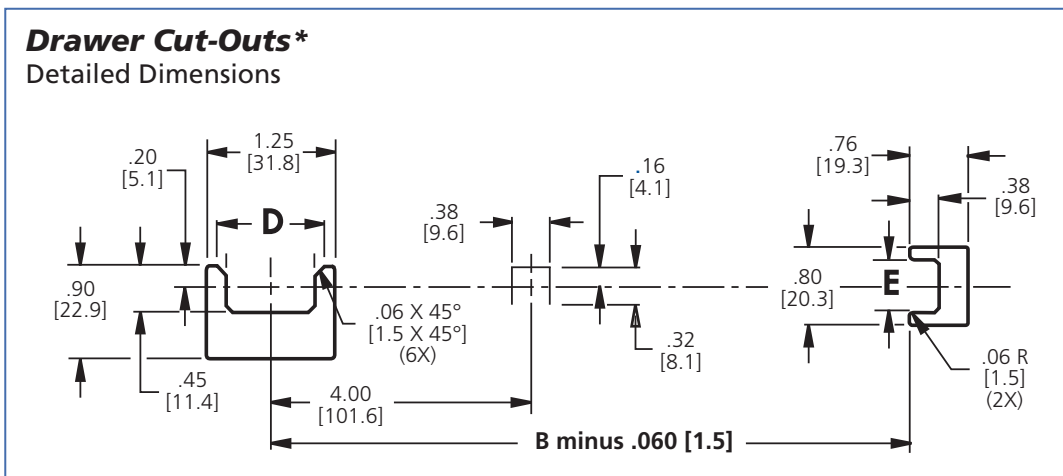
Terminology

Bayonet = tab, lance, or open tab

Pocket = closed tab, closed pocket, bayonet pocket

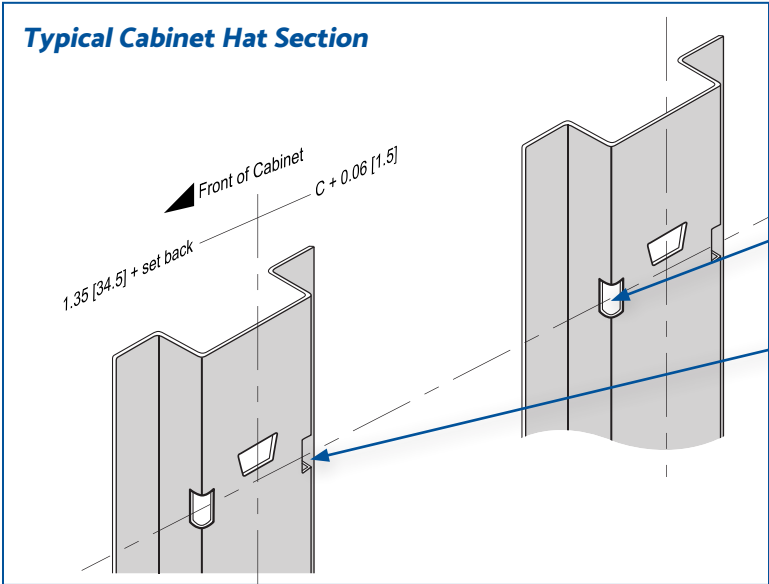
Locking tabs = locking barbs, eyebrow tabs, self-locking tabs

Hat sections = Columns, vertical sections, uprights, struts



* These dimensions do not apply to models 9328/9322. See the 9328/9322 technical sheet for exact dimensions.

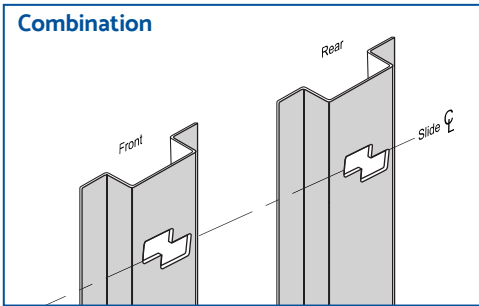
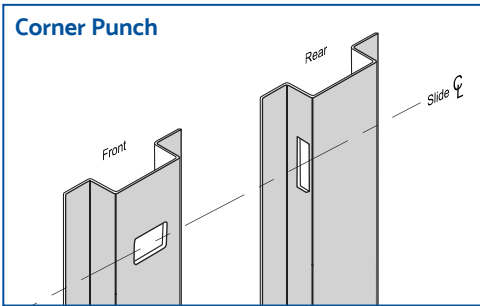
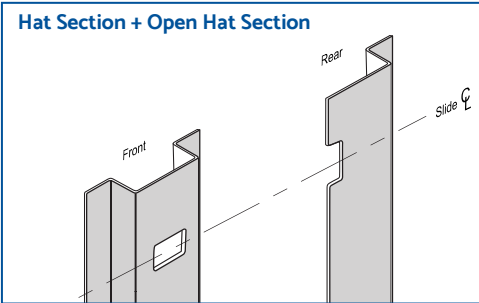
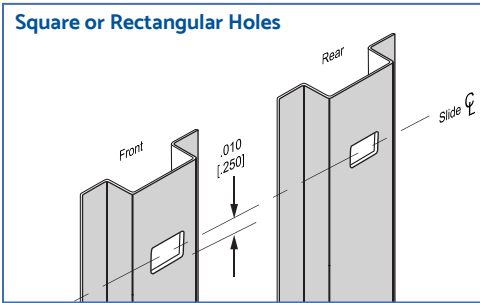
Typical Cabinet Hat Section



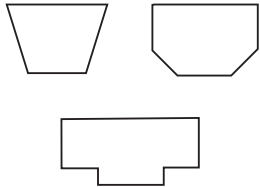
Cabinet Cut-Out Recommendations

- The front and rear hat sections shown here are identical. Hat sections are required for all 20 Series slide installations.
- The vertical cut-out at the front of the rear hat section accepts the rear cabinet member bayonet of all 20 Series models.
- The vertical cut-out at the back of the front hat section accepts the anti-lift tab on Model 2120.
- Setback** = Thickness of inset drawer front where applicable + .12" [3.1 mm] clearance.
- For dimension "C" dimension, see tabulated tables on the product technical sheets.

Alternate Configurations



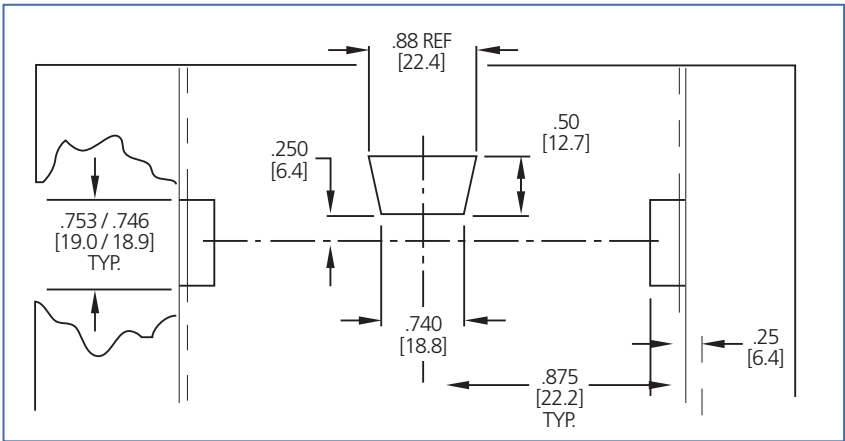
Alternate Cut-Out Shapes

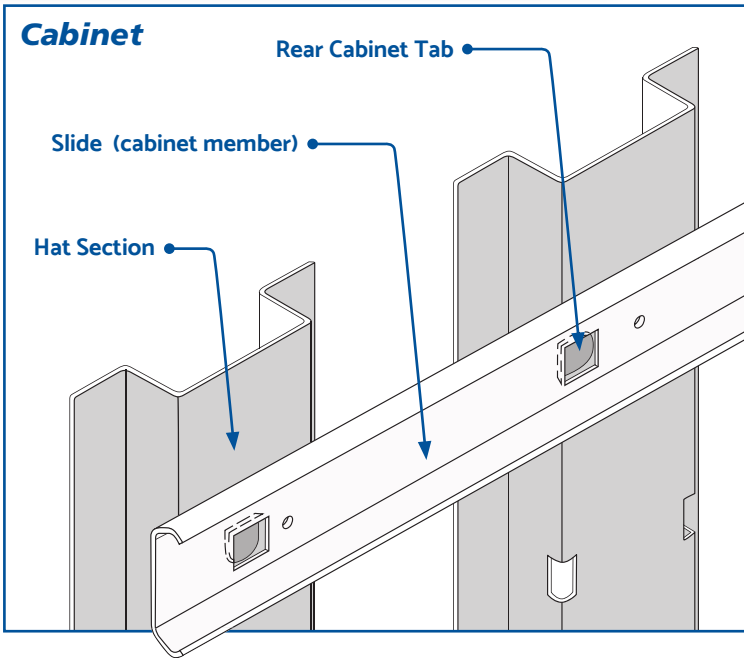


In addition to the trapezoidal punch shown in the diagram at the top of the page, a standard rectangle punch will work as well. The trapezoid is the optimum shape to provide faster installation and tolerance control when inserting the lance into the cut-out, but several other punch sizes and shapes may be used.

Cabinet Cut-Outs Detailed Dimensions*

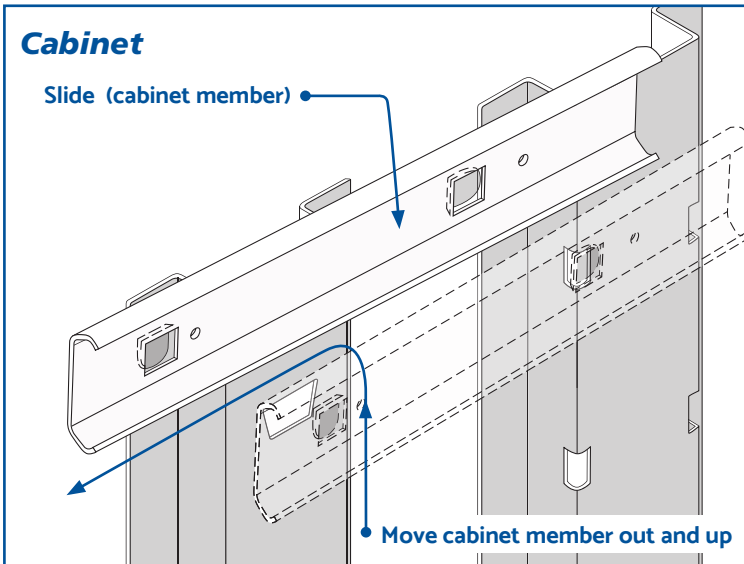
* These dimensions do not apply to models 9328/9322. See the 9328/9322 technical sheet for exact dimensions.





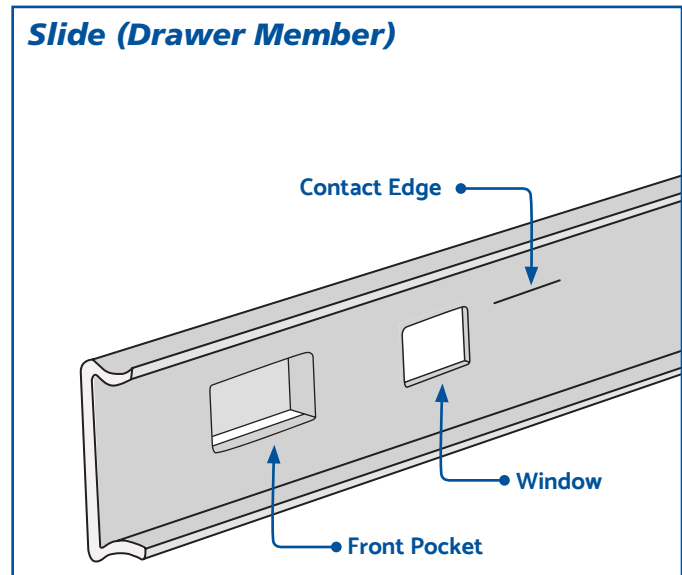
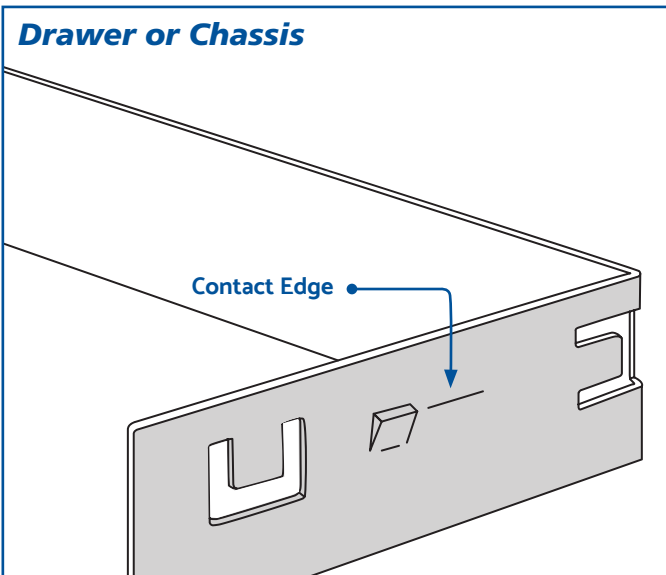
Slide Installation

1. Place the **Rear Cabinet Tab** into rear hat section slot and slide back.
2. Press down on the front of the slide until the **Front Cabinet Bayonet** fully engages front hat section slot. The retention lug above the tab should lock against the top edge of the cut-out.
3. On Model 2120, the anti-lift tab will snap into the rear vertical cut-out.
4. Extend slides.
5. Place the **Rear Drawer Tab** into the rear drawer member slot and slide back.
6. Lower the front of the drawer until the drawer tab fully engages the slide pocket and snaps into place.



Slide Removal

1. For **Models 3320, 3620, and 3820**, remove drawer reversing the installation procedure. Twist cabinet member to disengage anti-lift feature.
2. For **Model 2120**, remove drawer, then using a finger or screwdriver, depress the cabinet member anti-lift tab inward.
3. Lift slide to remove.



Slide Length	Slide Travel
12.00 [305]	8.45 [215]
13.78 [350]	9.73 [247]
15.75 [400]	11.81 [300]
17.72 [450]	13.29 [338]
19.69 [500]	14.79 [376]
21.65 [550]	16.34 [415]
23.62 [600]	17.74 [451]
25.59 [650]	18.73 [476]
27.56 [700]	19.73 [501]

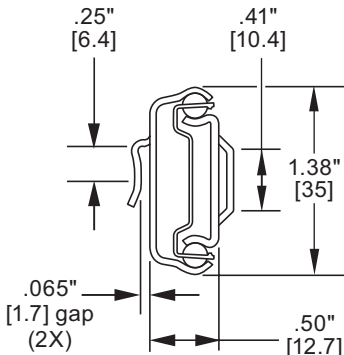


2120

For light applications calling for 3/4 extension and a disconnect such as small metal peds for office supply storage.



- 3/4 extension
- .50" [12.7 mm] side space*
- 75-lb. [34 kg] load rating/pair based on 18" [450 mm] slide length
- Drawer widths up to 16"
- Hold-in detent
- Lever disconnect
- Even lengths 12"-28" [305-700 mm]



* Provide + .030/- .000 [+ .76 mm/.00 mm] tolerance in cabinet design

Slide Length	Slide Travel
12.00 [305]	12.00 [305]
13.78 [350]	14.00 [356]
15.75 [400]	16.00 [406]
17.72 [450]	18.00 [457]
19.69 [500]	20.00 [508]
21.65 [550]	22.00 [559]
23.62 [600]	24.00 [610]
25.59 [650]	26.00 [660]
27.56 [700]	28.00 [711]

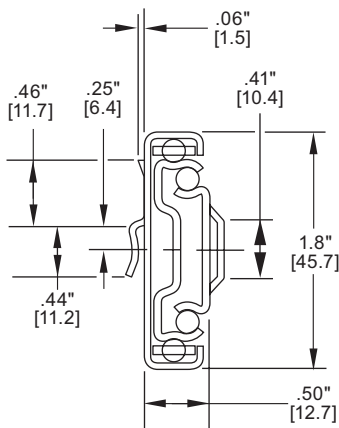


3820E

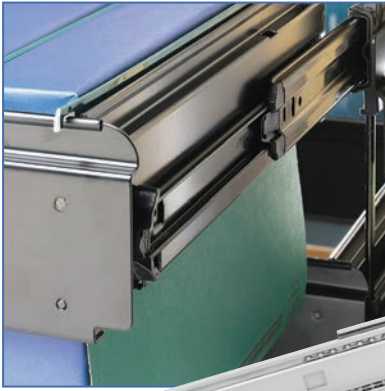
Full extension and a disconnect method for light to medium duty applications.



- Full extension
- .50" [12.7 mm] side space*
- 100-lb. [45 kg] load rating/pair based on 18" [450 mm] slide length
- Drawer widths up to 16"
- Hold-in detent
- Lever disconnect
- Even lengths 12"-28" [305-700 mm]

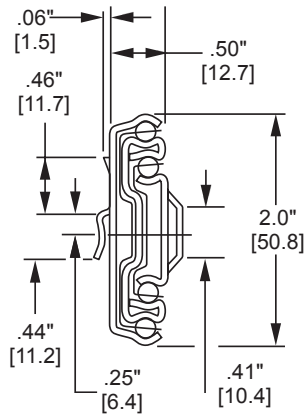


* Provide + .030/- .000 [+ .76 mm/.00 mm] tolerance in cabinet design



3320

Non disconnect to prevent accidental drawer removal in medium duty applications.



- Full extension
- .50" [12.7 mm] side space*
- 120-lb. [55 kg] load rating/pair based on 18" [450 mm] slide length
- Drawer widths up to 24"
- Hold-in detent
- Non disconnect
- Silencing open and closed
- Even lengths 12"-28" [305-711 mm]

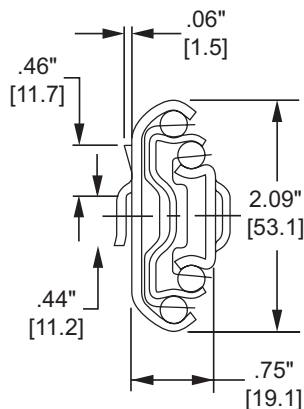
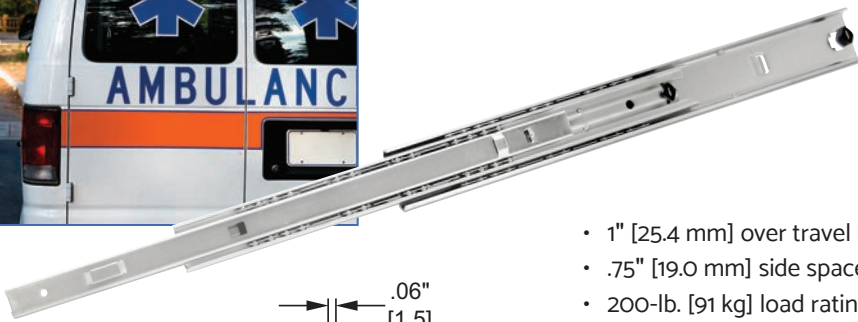
* Provide +.030/-0.00 [+7.6 mm/.00 mm] tolerance in cabinet design

Slide Length	Slide Travel
12.00 [305]	12.00 [305]
14.00 [356]	14.00 [356]
16.00 [406]	16.00 [406]
18.00 [457]	18.00 [457]
20.00 [508]	20.00 [508]
22.00 [559]	22.00 [559]
24.00 [610]	24.00 [610]
26.00 [660]	26.00 [660]
28.00 [711]	28.00 [711]



3620

Suitable for wider drawers; over travel provides complete access to drawer contents.



- 1" [25.4 mm] over travel
- .75" [19.0 mm] side space*
- 200-lb. [91 kg] load rating/pair based on 18" [457 mm] slide length
- Drawer widths up to 42"
- Sequential action
- Hold-in detent
- Non disconnect
- Silencing open and closed
- Lengths: 14", 16", 17", 18", 20", 21", 22", 24", 26", 28" [356, 406, 432, 457, 508, 533, 559, 610, 660, 711 mm]

* Provide +.030/-0.00 [+7.6 mm/.00 mm] tolerance in cabinet design

Slide Length	Slide Travel
14.00 [356]	14.00 [381]
16.00 [406]	17.00 [432]
17.00 [432]	18.00 [457]
18.00 [457]	19.00 [483]
20.00 [508]	21.00 [533]
21.00 [533]	22.00 [559]
22.00 [559]	23.00 [584]
24.00 [610]	25.00 [635]
26.00 [660]	27.00 [668]
28.00 [711]	29.00 [737]



9328E

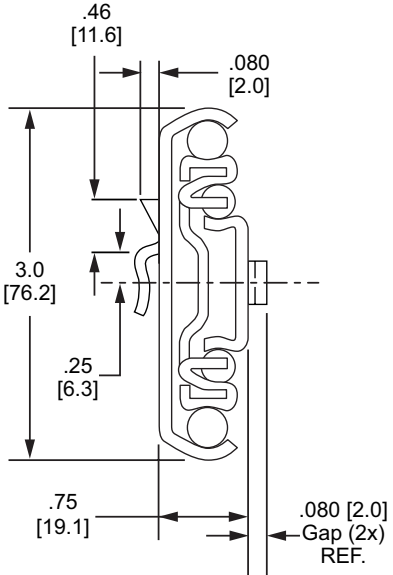
A heavy-duty load rating with lock-in and lock-out to keep drawers securely in place during access or transit.



Slide Length	Slide Travel
10.00 [254.0]	10.00 [254.0]
12.00 [304.8]	12.00 [304.8]
14.00 [355.6]	14.00 [355.6]
16.00 [406.4]	16.00 [406.4]
18.00 [457.2]	18.00 [457.2]
20.00 [508.0]	20.00 [508.0]
22.00 [558.8]	22.00 [558.8]
24.00 [609.6]	24.00 [609.6]
26.00 [660.4]	26.00 [660.4]
28.00 [711.2]	28.00 [711.2]
30.00 [762.0]	30.00 [762.0]
32.00 [812.8]	32.00 [812.8]
34.00 [863.6]	34.00 [863.6]
36.00 [914.4]	36.00 [914.4]
40.00 [1016.0]	40.00 [1016.0]
42.00 [1066.8]	42.00 [1066.8]
48.00 [1219.2]	48.00 [1219.2]
60.00 [1524.0]	60.00 [1524.0]

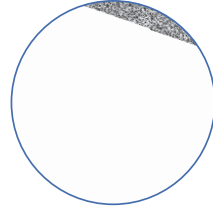
9322E

Non-locking companion slide.



- Load capacity up to 360 lbs. [163 kg]/pair
- Full extension
- .75" [19.1 mm] side space
- Lock-in/Lock-out actuated with lever at the front of the slide
- For locking on one side only, order non-locking companion slide Model 9322E
- Non-disconnect
- Available in even lengths 10"-36", 40", 42", 48", 60" [254-914 mm, 1016, 1067, 1219, 1524 mm]

Note: The drawer and cabinet hat section cut-out specifications are unique to these models. Please see the technical sheet for detailed dimensions.



Model 9328
Bayonet Detail

ACCURIDE INTERNATIONAL INC. NORTH AMERICA

International Headquarters ○
12311 Shoemaker Avenue
Santa Fe Springs, California 90670
562 903-0200 Telephone
562 903-0208 Fax
www accuride.com

Calle Circuito Norte No. 6 ○
Parque Industrial Nelson
Mexicali, B.C., C.P. 21395 Mexico



EUROPE

Liliput Road ○
Brackmills Industrial Estate
Northampton, NN4 7AS
United Kingdom
(441) 604-761111 Telephone
(441) 604-767190 Fax
www accuride-europe.com

Postfach 1464 ○
Werner - Von Siemens - Strasse 16-18
65582 Diez/Lahn
Germany
(49 64 32) 6 08-0 Telephone
(49 64 32) 6 08-20 Fax
www accuride-europe.com



ASIA

Accuride Japan Co., Ltd. ○
44 Minami-asaji Iwata Yawata-shi
Kyoto, Japan
81-75-983-7500 Telephone
81-75-983-9500 Fax
www accuride.co.jp

Accuride International Suzhou Co. LTD ○
No. 178, Suhong East Road
Suzhou Industrial Park
Jiangsu Province, China 215026
86-512-62731200 Telephone
86-512-62833993 Fax
www accuride.com.cm



DISTRIBUTED BY:

Accuride[®]
Always Moving Forward

Stay connected:



Accuride printed materials are;
Printed with soy based inks. Printed on paper that
contains recycled materials and conforms to the
latest sustainable arboriculture guidelines.

© 2019 Accuride International Inc. Printed in USA
AC-IE-Catalog-Spring-042419